

TOTAL

One-Stop Tools Station

TOTAL

KEYHOLE SAW

TJSLI8501



20V

Security instructions



Caution

Read all safety warnings and all instructions. Failure to follow all warnings and instructions may result in electrical shock, fire, and/or serious injury.

The term “power tool” in the warnings refers to your mains-operated (corded) power tool or battery-operated (cordless) power tool.

Note: Save all warnings and instructions for future reference. Due to our ongoing R&D&I program, the specifications in this document are subject to change without notice.

1) Work area safety

- a. Keep the work area clean and well lit to prevent accidents.
- b. Do not use power tools in explosive atmospheres, such as in the presence of flammable liquids, gases, or dust that can cause fires.
- c. Keep children and other unauthorized persons away while using a power tool. Distractions can cause you to lose control of the tool.

2) Electrical safety

- a. Power tool plugs must match the outlet. Never modify the plug in any way. Using a suitable plug reduces the risk of electric shock.
- b. Avoid bodily contact with grounded surfaces such as pipes, radiators, ranges, and refrigerators. There is an increased risk of electric shock if your body is grounded.
- c. Do not expose power tools to rain or wet conditions. Water entering a power tool will increase the risk of electrical shock.
- d. Never use the cord to carry, pull or unplug the power tool. Keep the cable away from heat or oil.
- e. When using a power tool outdoors, use an extension cord suitable for outdoor use.
- f. If using the tool in a damp location is unavoidable, use a Residual Current Device (RCD) protected supply to reduce the risk of electric shock.

3) Personal security

- a. Always stay alert, watch what you are doing and use common sense when using the tool.
- b. Do not use a power tool if you are tired or under the influence of medication or other substances.
- c. Wear personal protective equipment. Always wear eye protection. Protective equipment such as a dust mask, non-slip safety shoes, hard hat, or hearing protection used in the proper conditions will reduce personal injury. Also don't wear loose clothing or jewelry.
- d. Prevent the tool from turning on unintentionally. Make sure the switch is in the off position before connecting to power source and moving.
- e. Remove any adjusting wrenches or wrenches before turning on the power tool. An adjustable wrench or wrench placed in a rotating part of the power tool can cause serious injury.
- f. If dust extraction and collection devices (such as a dust mask) are used, make sure they are connected properly. Properly use these devices and you will reduce dust-related hazards.

4) Use and care of battery tools

- a. Recharge the battery only with the charger specified by the manufacturer. An unsuitable charger can create a fire hazard.
- b. Use power tools only with specifically designated batteries. Use of other batteries may create a risk of injury or fire.
- c. When the batteries are not in use, keep it away from other metal objects, such as paper clips, coins, keys, nails, screws, or other small metal objects, that can make a connection from one terminal to another. Shorting the battery terminals can cause burns or fire.
- d. Abusive conditions can cause expulsion of liquid from the battery; avoid contact. If accidentally contacted, rinse immediately with water. If the liquid comes into contact with the eyes, also seek medical help. Liquid expelled from the battery can cause irritation or burns.
- e. Do not use a battery or tool that is damaged or modified. They may exhibit unpredictable behavior resulting in fire, explosion, or risk of injury.
- f. Do not expose a battery or tool to fire or excessive heat. Exposure to fire or temperature above 130°C may cause an explosion.
- g. Follow all charging instructions. Do not charge the battery or tool outside the temperature range specified in the instructions. Improper charging or charging at temperatures outside the specified range may damage the battery or increase the risk of fire.

5) Service

- a. Have your power tool serviced by a qualified person and use replacement parts recommended by the manufacturer. This will ensure that the safety of the power tool is maintained.
- b. Never use damaged batteries. Battery packs should only be serviced by the manufacturer or authorized service providers.

Safety rules for correct use



Double insulation for additional protection



Please read the instruction manual before use.



CE conformity.



Wear safety glasses, hearing protection and a dust mask.



Waste electrical products must not be disposed of with household waste. Please recycle at the appropriate facilities. Check with your local authority or retailer for recycling advice.



Security alert. Use only accessories supported by the manufacturer.



Battery charge only below 50°C



Always recycle batteries and tools.



Do not destroy the battery with fire.



Do not expose battery to water.

Other risks

Even when the power tool is used as prescribed, it is not possible to eliminate all residual risk factors:

- Health defects resulting from vibration emission if the power tool is used for a longer period of time or if it is not managed and maintained properly.
- Injuries and property damage due to broken fixtures breaking suddenly.

Caution

This power tool produces an electromagnetic field during operation. This field can, in some circumstances, interfere with active or passive medical implants.

To reduce the risk of serious injury, we recommend that persons with medical implants consult their physician before using this power tool.



If the cable is damaged or cut during work, do not touch the cable, immediately unplug the tool. Never use the machine with a damaged cable.

The machine must not be damp and must not be used in a humid environment.



Attention

Safe operation of this machine is only possible when the operating or safety information is fully read and the instructions contained therein are strictly followed.



Technical data

Data sheet	
Voltage	20V
Strokes per minute	0-2400/min
Stroke length	20mm
Wood cutting capacity	80mm
Mild steel cutting capacity	8mm

Product description



Caution

Always make sure the tool is turned off and the battery cartridge has been removed before adjusting or checking the function of the tool.

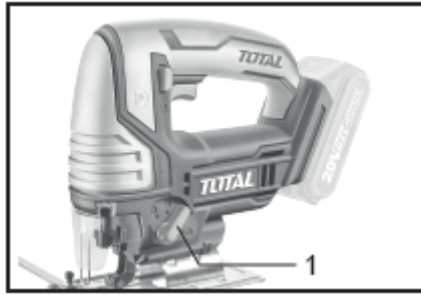
Installing or removing the battery cartridge



1. Battery extraction button 2. Battery

- Always turn off the tool before installing or removing the battery cartridge.
- Hold the tool and battery cartridge firmly when installing or removing the battery cartridge. If you do not hold the tool and battery cartridge firmly, they may slip from your hands and cause damage to the tool, battery cartridge and personal injury.
- **To remove the battery cartridge:** Slide it out of the tool while sliding the button on the front of the cartridge.
- **To install the battery cartridge:** Align the tab on the battery cartridge with the slot on the casing and slide it into place. Insert it all the way until it clicks into place with a small click.

Selection of cutting action



1. Cutting Action Shift Lever

This tool can be operated with an orbital or straight line (up and down) cutting action. The orbital cutting action pushes the blade forward on the cutting stroke and greatly increases cutting speed.

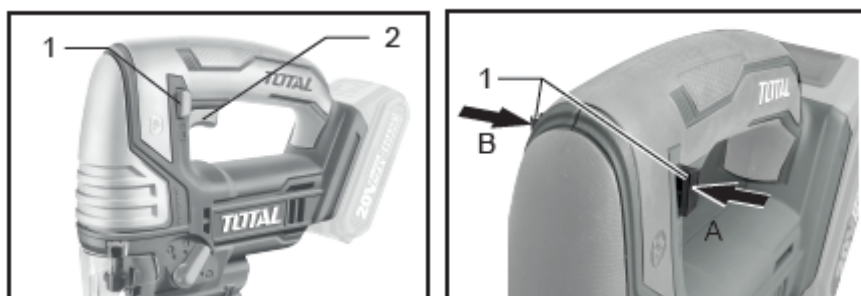
To change the cutting action, simply turn the cutting action change lever to the desired cutting action position. Consult the table to select the proper cutting action.

Pendulum adjustment steps	Material
0: Straight line cutting action	Mild steel, stainless steel and plastics. For clean cuts in wood and plywood.
1: Small pendulum action	Mild steel, aluminum and hard wood.
2: Medium pendulum action	Wood and plywood. For fast cutting in aluminum and mild steel.
3: Great pendulum action	For fast cutting in wood and plywood.

Power switch and lock

To prevent the switch trigger from being accidentally actuated, the lock button is provided.

- To start the tool, press the lock button from the B side and press the switch trigger.
- Tool speed is increased by increasing pressure on the switch trigger.
- Release the switch trigger to stop. After use, always press the lock button from side A.



1. Lock button
2. Trigger switch

1. Lock button



Caution

- Before inserting the battery cartridge into the tool, always check that the switch trigger actuates properly and returns to the off position when released.
- When not using the tool, press the lock button from the A side to lock the switch trigger in the off position.

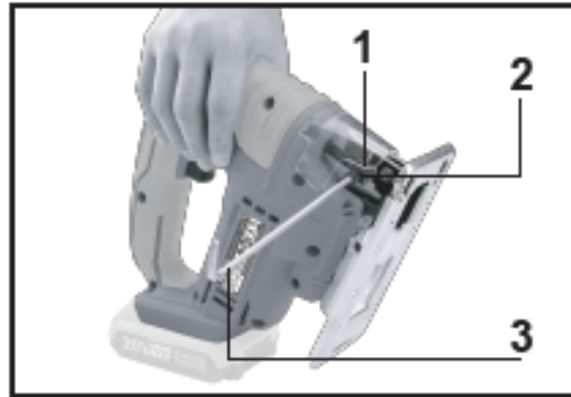
Assembly and commissioning

Mounting

Caution

Always make sure the tool is turned off and unplugged before doing any work on the tool.

Installation or removal of the saw blade



1. Blade holder 2. Bolt 3. Hex key

To install the saw blade or knife:

- Loosen the bolt counterclockwise on the blade holder with the hex key. This will open the blade holder to the position shown in the figure.
- With the blade teeth facing forward, insert the blade into the blade holder as far as it will go. Make sure the trailing edge of the blade fits into the roller.
- Tighten the bolt clockwise to secure the blade.

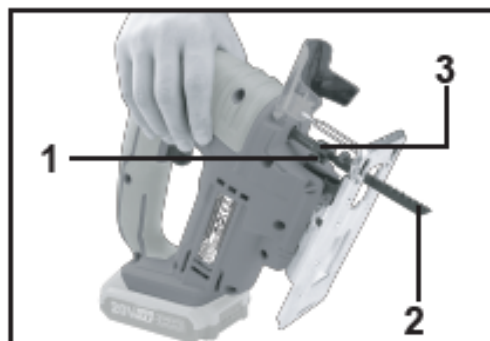
Caution

Always clean off any chips or foreign matter adhering to the blade and/or blade holder. Failure to do so may cause insufficient blade adjustment, which may result in serious personal injury.

Do not touch the blade or workpiece immediately after operation; they can be extremely hot and could burn your skin.

Always secure the blade firmly. Insufficient blade tightening can cause blade breakage or serious personal injury.

Use only type B blades. Using blades other than type B will result in insufficient blade tightening, which may result in serious personal injury.



1. Bolt 2. Blade 3. Roller

To remove the saw blade or knife: follow the installation procedure in reverse.

When removing the saw blade, be careful not to pinch your fingers on the top of the blade or the tips of the workpiece.

Note: From time to time lubricate the roller.

electric brake

This tool is equipped with an electric brake. If the tool consistently fails to stop quickly after the switch trigger is released, take the tool to an official Total dealer.

Caution



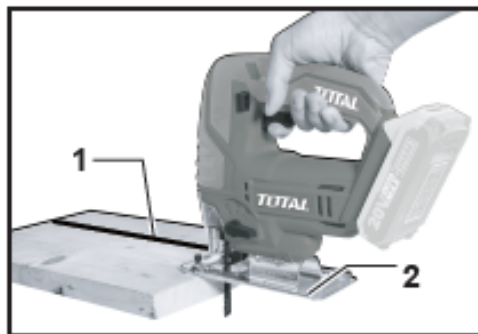
Always make sure the tool is switched off and the battery cartridge has been removed before carrying out any work on the tool.

Set up

Attention



Always hold the base flush with the work piece. Failure to do so may result in blade breakage, which may result in personal injury or property injury.



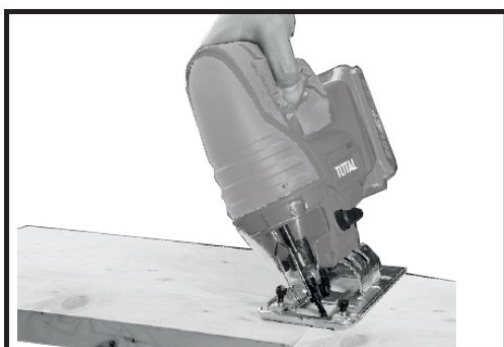
1. Cut line 2. Base

- Start the tool without the blade making any contact and wait until the blade reaches full speed.
- Then rest the base on the workpiece and gently move the tool forward along the previously marked line of cut.
- When cutting curves, feed the tool very slowly.

Note: If the tool is used continuously until the battery cartridge is discharged, allow the tool to rest for 15 minutes before continuing with a new battery.

bevel cut

With the tilted base, you can make bevel cuts at any angle between 0° and 45° (left or right).

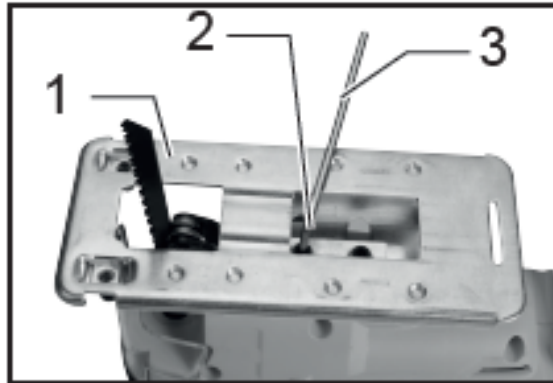


- Loosen the bolt at the back of the base with the hex key.
- Move the base so that the pin is positioned in the center of the beveled slot in the base.



Caution

Always make sure the tool is turned off and the battery cartridge is removed before tilting the base.



1. Base 2. Screw 3. Hex key

- Tilt the base to the desired bevel angle.
- The V-notch on the gearbox indicates the bevel angle by graduations.
- Tighten bolt securely to secure base.
- Loosen the bolt at the back of the base with the hex wrench and slide the base all the way back. Then tighten the bolt to secure the base.

Cuts

Cutouts can be made using either method (A or B).

A) Drilling a starter hole:



For internal cuts without a lead-in cut from one edge, pre-drill a 1/2" (12mm) or larger diameter starter hole. Insert the blade into this hole to start the cut.

B) plunge cut:



You do not need to drill a starter hole or make a lead-in cut if you do the following carefully.

- Tilt the tool up over the leading edge of the base with the tip of the blade positioned just above the surface of the workpiece.
- Apply pressure to the tool so that the front edge of the base does not move when you turn the tool on and slowly lower the back end of the tool.
- As the blade pierces the workpiece, slowly lower the base of the tool onto the surface of the workpiece.
- Complete the cut in the usual way.

Finishing edges

To trim the edges or make dimensional adjustments, run the blade lightly along the cut edges.



Metal cutting

Always use a suitable coolant (cutting oil) when cutting metal. Failure to do so will result in significant blade wear. The bottom of the workpiece can be oiled instead of using a coolant.

Cutting guide assembly (optional accessory)

Caution

Always make sure the tool is turned off and the battery cartridge is removed before installing or removing accessories.



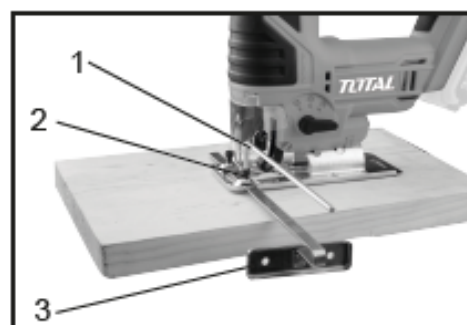
Straight cuts

When repeatedly cutting widths of 6-5/16" (160 mm) or less, use of the rip fence will ensure fast, clean, straight cuts. To install:

- Insert the rip fence into the rectangular hole in the side of the tool base.
- With the fence guide down Slide the rip fence to the desired width of cut position, then tighten the bolt to secure.



1. Guide



1. Hex key
2. Bolt
3. Cutting guide

Maintenance and troubleshooting

Maintenance

- Clean the tool regularly (remove chips and bits of wood, etc.). For best results, do this immediately after the job is complete.
- Do not allow liquids to get inside the jigsaw. Use a soft cloth to clean the case. Do not use gasoline, solvents or cleaners that can attack the plastic.
- The ventilation slots must always be clean and unobstructed.

Problem solving

- If your tool doesn't work, check the fuse and power at the mains plug.
- If not cutting properly, check blade and support roller, replace blade if worn.
- Also check the angle of cut, the blade should be exactly 90° to the base plate for normal use.
- If the fault is not found, contact an official Total dealer. There are no user serviceable parts.

Environment

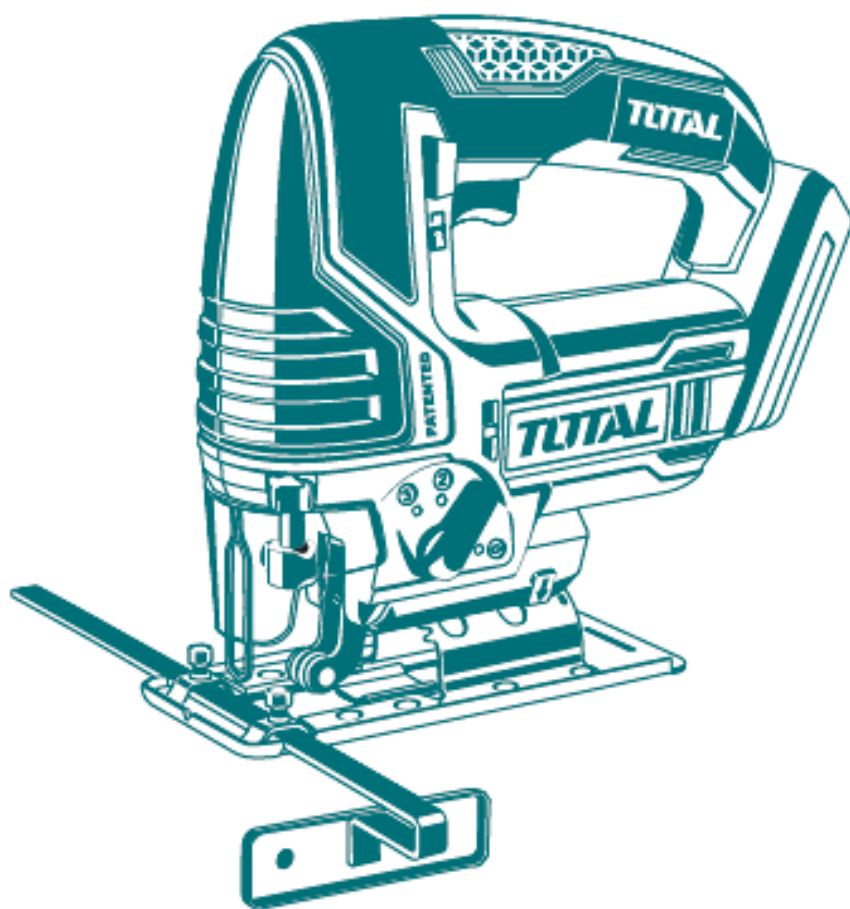


- Do not dispose of electrical appliances as unsorted municipal waste, use separate collection facilities.
- Contact your local authority for information on available collection systems.
- If electrical appliances are disposed of in landfills, hazardous substances can seep into the groundwater and enter the food chain, harming your health and well-being.
- Recycle raw materials instead of disposing of them as waste.
- The machine, accessories and packaging must be sorted for environmentally friendly recycling.

TOTAL

One-Stop Tools Station

TOTAL



KEYHOLE SAW

20V