

Instructions and user manual

GC500TFE / GC7000TFE



ALNOVA®

Millasur, SL.
Rúa Eduardo Pondal, nº 23 - Pol. Ind. Sigüeiro
15688 - Oroso - A Coruña - 981 696 465 - www.millasur.com



ANOVA wishes to congratulate you on choosing one of our products and guarantees the assistance and cooperation that has always distinguished our brand over time.

This machine is designed to last for many years and to be very useful if used in accordance with the instructions contained in the user manual. We therefore recommend that you read this instruction manual carefully and follow all our recommendations.

For more information or questions, you can contact us through our web supports such as www.anova.es

INFORMATION ABOUT THIS MANUAL

Pay attention to the information provided in this manual and on the machine for your safety and that of others.

- This manual contains instructions for use and maintenance.
- Take this manual with you when you go to work with the machine.
- Contents are correct at time of printing.
- The rights to make alterations are reserved at any time without affecting our legal responsibilities.
- This manual is considered an integral part of the product and should remain with it in the event of loan or resale.
- Ask your dealer for a new manual in case of loss or damage.

READ THIS MANUAL CAREFULLY BEFORE USING THE MACHINE

To ensure that your machine provides the best results, please read the usage and safety guidelines carefully before using it.

OTHER WARNINGS:

Incorrect use could cause damage to the machine or other objects.

Adapting the machine to new technical requirements could cause differences between the content of this manual and the purchased product.

Read and follow all instructions in this manual. Failure to follow these instructions could result in serious personal injury.

CONTENT

1. INDICATIONS AND GENERAL SAFETY RULES
2. GENERAL INFORMATION
3. INSTRUCTIONS FOR USE
4. MAINTENANCE
5. STORAGE
6. TROUBLESHOOTING
7. TECHNICAL SPECIFICATIONS
8. WARRANTY
9. ENVIRONMENT
10. CE DECLARATION

ALNOVA®

1. INDICATIONS AND GENERAL SAFETY RULES



To guarantee the best working and safety conditions, please read the following paragraphs carefully:

One of the basic safety factors is respecting the maintenance schedule (see maintenance chart). Also, never attempt repair or maintenance without the necessary experience and / or tools.

ELECTROCUTION



- Generating sets supply electrical current during use.
- Never touch damaged cables or disconnected connections.
- Never handle a generating set with wet hands or feet.

- Never expose the equipment to liquid splashes or the elements, or place it on a wet floor.
- Keep the electrical cables, as well as the connections, in good condition.
- The use of material in poor condition can cause electrocution or damage to the equipment.
- Provide a differential protection device between the generator set and the appliances if the length of the cable (s) you use is greater than 1 meter.
- Use flexible and resistant cables with a rubber sheath in accordance with current regulations.
- The generating set must not be connected to other energy sources, such as the public distribution network. In the particular case that a reserve connection to networks is foreseen existing electrical appliances, this should only be done by a qualified electrician. To do this, you must take into account the differences in the operation of the equipment, depending on whether the public distribution network or the generator set is used.
- Protection against electric shock depends on circuit breakers specially provided in the generating set. If the latter should be replaced, it should be done by others having identical nominal values and characteristics.

FIRE



- Never refuel the fuel tank while the generator set is running or with a hot engine.
- Clean any traces of fuel with a clean cloth.



- Fuel is extremely flammable and its vapors explosive. Don't smoke, come closer a flame or sparks when filling the tank with fuel.



- Keep away any flammable or explosive products (fuel, oil, rags, etc.) when the group is underway.
- Always place the generating set on a level, flat and horizontal ground in order to prevent the fuel from the tank from spilling onto the engine.
- The storage of chemical / oily products and their handling will be carried out in accordance with the legal provisions.

EXHAUST GASES



- Exhaust gases contain a very toxic component: carbon dioxide. This component can cause death if it exists in very high concentrations in the breathing environment.

- For this reason, always use your generator set in a well-ventilated place where gases cannot accumulate.
- In addition, good ventilation is required for the proper operation of your generator set. Without this ventilation, the motor would rapidly increase the temperature to values that would cause accidents or damage to the surrounding material or property.
- However, if an operation must be carried out inside a building, plan for the proper ventilation so that people or animals present are not visible affected.

BURNS



- Never touch the engine or the muffler during the operation of the generating set or for a few minutes after it is stopped and switched off.

- Some preservative oils are flammable. Also, some are dangerous if inhaled. Make sure you have good ventilation. Wear a protective mask during handling.

- Hot oil can cause burns. Avoid direct skin contact with hot oil. Make sure that the system is not under pressure before any intervention. Never start with the oil and / or fuel filler cap out of place.



ENVIRONMENTAL PROTECTION



- A leaking exhaust can cause an increase in the noise level of the generator set. To ensure its effectiveness, periodically inspect the muffler on the machine.

- Never drain or spill engine oil on the ground, but into a container provided for this purpose. Service stations can recover your used oil.

- Try to avoid, whenever possible, the reverberation of the sound in walls or other constructions: the volume would be amplified.

- If your generator set exhaust is not equipped with a spark arrestor and you must use the group in wooded, overgrown areas or on uncultivated grassy areas, pay close attention and make sure that the sparks do not start a fire. Clear a sufficiently large area where you plan to move your generator set.

GENERAL SAFETY TIPS

- Before using the group it is necessary to know how to stop the group immediately and fully understand all the controls and maneuvers.

- Never let other people use the generating set without first giving them the necessary instructions.

- Never let children touch the generating set, even when standing still. Avoid use of the generator set in the presence of animals.

- Never start the engine without an air filter or exhaust.

- Never invert the positive and negative terminals of the batteries during their assembly. Reverse polarity can seriously wear out electrical equipment.

- Never cover the generating set with any material during operation or after stop. Wait for it to cool down.

- Never cover the generating set with a thin layer of oil in order to protect it from rust attack.

- In any case, respect the local regulations in force regarding generating sets before using yours.



WARNING: The engine must not be operated in environments where explosive products. No electrical or mechanical components are shielded, so sparks could occur. The change of the fuel filter must be carried out with the engine cold to avoid any risk of fire as a consequence of fuel splashes. Always cover the alternator if it is under the fuel filter.

Other safety regulations are described throughout this manual. Please read them carefully. These generating sets are not designed to run continuously:
IT IS RECOMMENDED THAT THE USE given to the engines be DOMESTIC and of a particular nature (aluminum engines and side valves) and / or PROFESSIONAL USE (ohv and diesel engines).

2. GENERAL INFORMATION



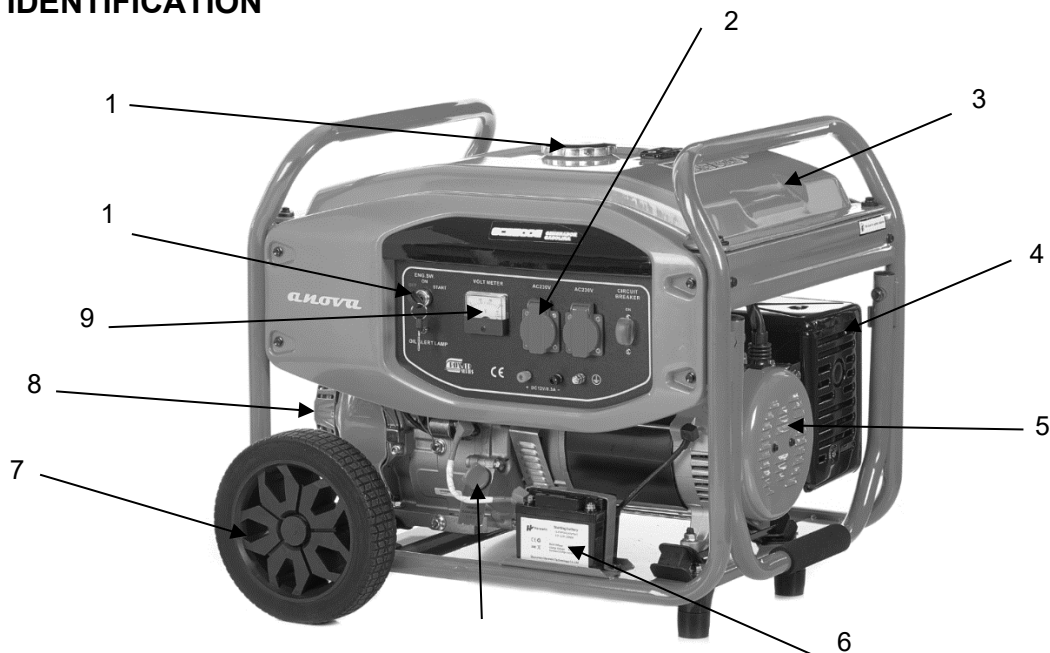
This symbol indicates that special attention must be paid to the indications that appear next to it.

This manual has been specially prepared to familiarize you with the use and maintenance that apply to this generator set. Please study this manual carefully to avoid problems caused by faulty use or maintenance. When you receive your generator set, check the good condition of the material and that you have all of your equipment. The handling of a group must be done with care, having prepared in advance the displacement destined for its use or storage.

DESCRIPTION

This generator set includes a 4-stroke, single-cylinder, air-cooled internal combustion engine, which directly rotates a generator that produces 230 V alternating current. The idle speed of rotation is approximately 3120 or 3750 rpm, the speed being load 3000 or 3600 rpm. At this speed, the frequency of the supplied current is 50Hz or 60Hz. These models incorporate a protection switch that is disconnected when the intensity required by the electrical devices supplied is higher than the possibilities of the machine.

PARTS IDENTIFICATION



- 1. Fuel tank cap.
- 2. Power outlet socket.
- 3. Fuel tank.
- 4. Escape
- 5. Alternator

- 6. Ignition battery
- 7. Wheel set
- 8. Manual start (puller)
- 9. Voltmeter
- 10. Ignition key

3. INSTRUCTIONS FOR USE

3.1. PREPARATION FOR START-UP (PRIOR TO START-UP)

- In acid-type batteries, remove the shutter devices if necessary, and the caps.
- Fill the electrolyte beakers (upper level: 10 to 15 mm below the plates).
- Let the battery rest for 30 minutes.
- Re-adjust the level with the electrolyte.

Tip: To check electrolyte levels, use a clean toothpick.

- Check the battery charge status with the help of a tester.
- Write down the concentration levels read from the acidometer and compare them with those given in the table. To find the mean electrolyte concentration level, add the values read on the acidometer and divide by the number of punctures.
- The calculated value will indicate the state of charge of your battery. Recharge it if necessary.

Nivel de concentración	Porcentaje de carga
1,26	100%
1,23	75%
1,20	50%
1,17	25%

- Place the generator set on a flat and horizontal surface.
- The inclination of the group must in no case exceed 20 ° in each direction.
- Plan the supply of oil and fuel in a place close to the place where the group, always respecting a minimum safety distance.
- Choose a place that is clean, airy and sheltered from the elements.
- Provide good ventilation in case of use inside a room (even if this use is exceptional).
- Install the generating set in a place that does not obstruct the passage of people or animals.

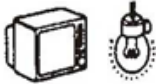

ELECTROGEN GROUP OVERLOAD







Never exceed the capacity (amps and / or watts) of the generator set's rated power during continuous operation. Before connecting and starting the generator set, calculate the electrical power required by the electrical appliances (in watts or amps).

The value of this electrical power (in watts or amps) can generally be found on the nameplate of light bulbs, electrical appliances, motors, etc. The sum of the powers of all the appliances you are going to use must not exceed the nominal power of your group.

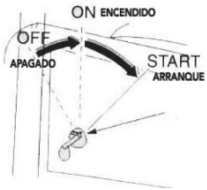
Note: An electrical appliance (jigsaw, log saw, etc.) consumes more watts or amps than indicated on the nameplate when the motor is overstressed. For example, a saw that must cut extremely hard material requires 3 to 4 times more watts or amps than are listed on the nameplate.

Item Type	Watts			Examples		
	Switched on	Medium use		Watts in article	Switched on	Medium use
Incandescent lamps Heat resistors	X 1	X 1		100W lamp 	100W (W)	100 VA (W)

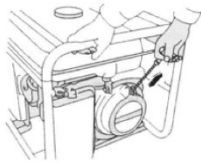
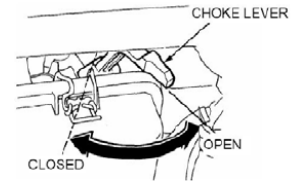
Fluorescent lamp	X 2	X 1.5		40W Lamp 	80VA (W)	60 VA (W)
Appliances with motor	X 3-5	X 2		Refrigerator 150W 	450-750VA (W)	300 VA (W)

3.2. START-UP, OPERATION AND SHUTDOWN OF THE GENERATOR SET

START-UP OF THE ELECTROGEN GROUP



- Check the oil and gasoline levels.
- Put the fuel cock in the "OPEN" position.
- Put the choke lever in the "CLOSED" position
- Put the motor contact in the "ON / I" position



MANUAL START

- Pull the starter grip slightly until you feel it resisting, then pull with a sharp blow.

WARNING: Do not allow the starter handle to return abruptly to its position, but you must accompany it with your hand slowly to avoid damage the launcher.

ELECTRIC START -Optional-

- Turn the starter key (1) to the "START" position and keep it in this position until the engine starts.



WARNING: If the engine does not start after 5 seconds, stop the attempt and wait 10 seconds before trying again. - Once the engine is running, turn the ignition key back to the "ON" position.

NOTE: OIL WARNING SYSTEM: Flashing of the start / stop switch while the engine is starting indicates a low oil level. The engine will not start or stall without restarting until the oil reservoir is refilled (the engine contact will remain in the ON "open position).

OPERATION OF THE ELECTROGEN GROUP

When the engine temperature begins to rise, return the choke lever to the Position "CLOSED" gradually.

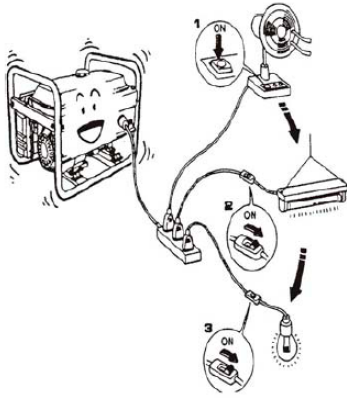
- Once the engine speed has stabilized (3 minutes), connect the socket (s)

of them is on. From that moment on, you can use your electrical appliances.

During engine operation, check:

- 1- if vibrations or abnormal noises occur;
- 2- if it backfires or the engine runs with difficulty;
- 3- the color of the exhaust gases (if they are black or too white).

If one of the points mentioned above is observed, stop running the



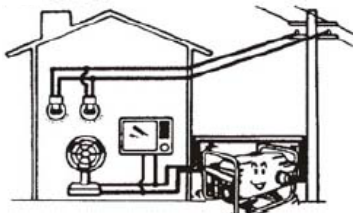
If there are two or more elements that need electrical power and that have to be connected to the generator set, make sure to connect them one by one and the one with maximum power first, continuing with the second element with the highest power.

In the case of power supply in a home or circuit, NEVER connect the generator to the main electricity supply line and cancel the connection to the outside line by breaking the circuit at the main input differential.

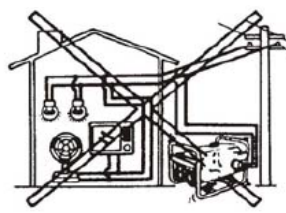


WARNING: Damage and / or fire in the generator. When it is necessary to connect the generator to a power source in a building, make sure you have a qualified electrician to do the job. Improper connection between the generator and the loads can cause damage to the generator, including fire and serious damage to the installation.

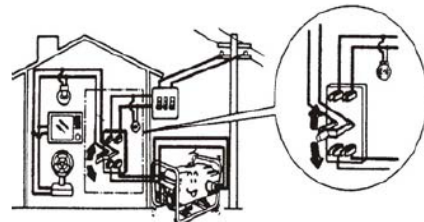
RIGHT



INCORRECT



RIGHT



Familiarize yourself with the parameters on the control panel to ensure correct use of the generator set's rated output **CAUTION** The generator set can operate at its rated output only under constant temperature, pressure, and humidity. Variation in temperature, pressure and humidity can influence the generator output power.

The temperature range in which the unit can be started is 15°C -40°C. Standard conditions are:

- Environmental temperature: 25°C.- Atmospheric pressure: 100kPa- Relative humidity: 30% .-
- Height above sea level: 1000 m

Pay particular attention to the connection of the positive and negative poles on the generator.



CAUTION The generator's current output must not be used as a power source to charge the battery.

STOPPING THE ENGINE

IN AN EMERGENCY:

- 1- To stop the engine in an emergency, turn the switch to the OFF / OFF position

IN NORMAL USE:

- 1- Turn the power cut-off to the OFF / Off position.
- 2- Disconnect all the electrical outlets found on the panel. Disconnect the battery charging cables.
- 3- Turn the ignition switch to the OFF / OFF position.
- 4- Turn the fuel cock to the CLOSED position.

4. GENERAL MAINTENANCE OF THE ELECTROGEN GROUP



Remove the high tension wire from the spark plug before doing any maintenance.

4.1. GENERAL MAINTENANCE CHART

Trabajos	Intervalos	5 primeras horas	Cada 50 horas o estación	Cada 100 horas o estación	Cada año
Cambios del aceite del motor		● *	● *		
Limpieza de la bujía de encendido				●	
Limpieza del elemento del filtro del aire				● **	
Limpieza del filtro de combustible					
Control del apretado de los tornillos y tuercas			●		
Ajustes de los balancines			●		● ***
Limpieza de las válvulas					● ***
Limpieza del parachispas					● ***
Limpieza del grupo electrógeno			●		

* Check the oil level every day and add more if necessary.

** Clean the filter more often when using the generator set in a dusty environment.

*** These operations must be carried out in one of our dealerships.

Rocker arm play with cold engine.

Intake and exhaust: 0.06 ~ 0.10

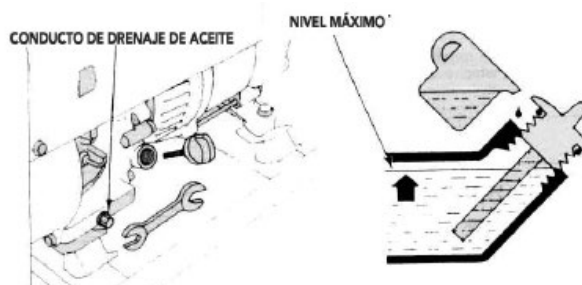
Maintenance program:

Although the maintenance schedule provides a periodicity for maintenance operations, you must remember that it is the environment in which the engine works that determines the maintenance schedule. Therefore, if the engine works in extreme conditions, it should adopt shorter intervals between operations. Use the program provided to establish your own program adapted to the particular conditions of use.

* These maintenance periods apply only to engines that run on fuel and oil in accordance with the specifications provided in this manual.

4.2. CHANGING THE ENGINE OIL

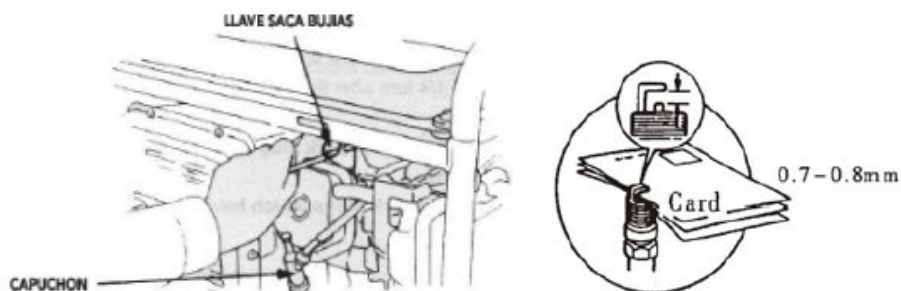
- With the engine warm, remove the cap from the oil filler hole and unscrew the drain plug.
- Drain the oil and dispose of it at an authorized recycling point. NEVER dispose of motor oil directly into the environment.
- Screw the drain plug back in and tighten very hard and fill the crankcase with oil through the tank filler hole until the oil reaches the upper level of the level indicator.



4.3. CLEANING THE SPARK PLUG

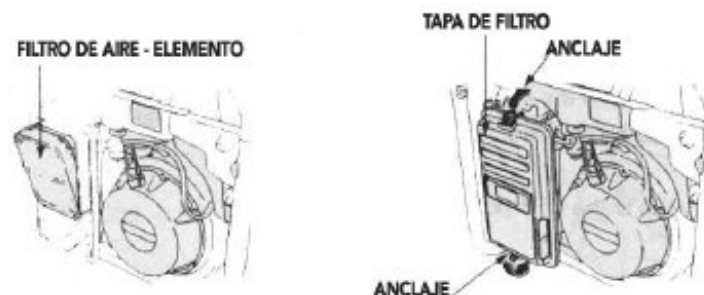
- Remove the spark plug with a suitable tool and adapted to the type of thread. Check the level of carbon build-up and discoloration.
- Remove the carbonization remains. Adjust the distance between the electrodes (0.7 - 0.8 mm).
- Check that the spark plug washer is in good condition and screw in the spark plug by hand to avoid damaging the thread.
- When the spark plug is in place, tighten it with the help of a spark plug wrench to compress the washer.

NOTE: If fitting a new spark plug, tighten it 1/2 turn with the help of a spark plug wrench, after having previously fitted it by hand, to compress the washer.
In the case of fitting a used spark plug, tighten it only 1/8 to 1/4 turn after inserting it by hand to compress the washer.



4.4. CLEANING THE AIR FILTER ELEMENT

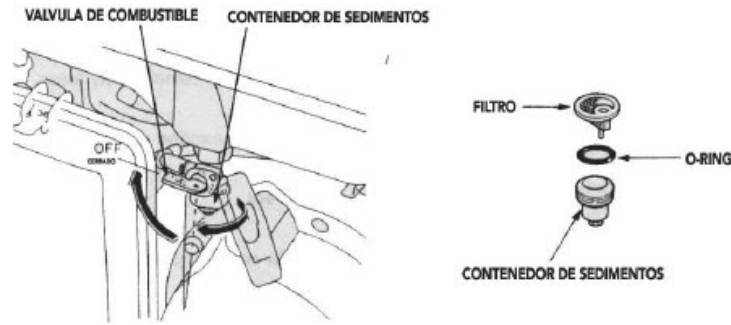
- Remove the air filter cover.
- Remove the cartridge from the cap and the holder.
- Clean the pre-filter with a liquid detergent and water. Let it dry on a clean fabric. Soak the pre-filter with new engine oil and wipe it on a clean cloth to remove excess oil. Replace it if it is too dirty or damaged.
- Tap the filter cartridge gently on a flat surface to loosen the dust. Replace it if it is excessively dirty or damaged.
- Refit the pre-filter on the support and place it on the cover.
- Reassemble the cartridge in the holder and reassemble the cap on the body.



4.5. CLEANING THE FUEL FILTER

- Turn the fuel cock to the Closed position.
- Remove the sediment cap, o-ring and filter.
- Clean the components with non-flammable liquid.

- Re-install the components.
- Turn the valve to the Open position, and check for possible leaks.



4.6. CHECKING THE TIGHTENING OF THE SCREWS AND NUTS

- Check that the bolts and nuts of the entire generating set are well tightened.
- Tighten them if necessary.

4.7. STARTER BATTERY MAINTENANCE (ELECTRIC START)

- Check and maintain the starter battery every month. Check the electrolyte level and top up with distilled water only, if necessary.
- Check the state of charge with the help of an acidometer and recharge it if necessary (read also the ELECTRICAL START paragraph).

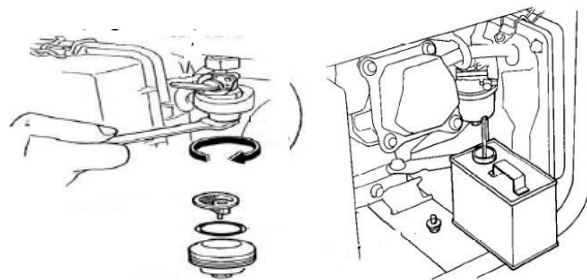
If your unit can be started with the manual start, but cannot be started with the electric start, run the unit with the manual start and charge the battery for 20 minutes. If the unit still cannot be started with the electric starter, replace the battery as follows.

- Disconnect the positive and negative poles of the battery with cables.
- Remove the battery holding plate.
- Install a new battery and clamping plate.
- Connect the relevant cables with the positive and negative poles.

5. STORAGE INSTRUCTIONS

Generators that must be stored for more than 30 days must undergo a series of operations to achieve good conservation.

1. Pour the additive into the fuel tank or a storage tank. Run the engine for a few moments to allow the additive to circulate through the carburetor. The engine and fuel can be stored for a maximum of 24 months from then on.



2. Change the crankcase oil with a warm engine. Replace with new quality oil appropriate.

3. Remove the spark plug and pour about 15 ml of oil into the engine and cylinder. Replace the

spark plug in place and start the engine to dispense the oil.

4. Remove dirt from the cylinders, cylinder head fins, cooling pan, the flywheel and exhaust grille.

5. Clean the generator set.

6. Cover the alternator air inlets and outlets with plastic tape.

7. Store the generator set in a clean, dry place.

* If the additive is not used, drain all the fuel from the tank and start the engine. until it stops.

6. PROBLEM SOLVING

SYMPTOM

Engine does not start using manual starter

PROBABLE CAUSES

- 1- Is the engine switch in the ON position?
- 2- Does the oil warning light flash when the starter is operated?
- 3- Is the fuel cock open (ON)?
- 4- Is there enough fuel?
- 5- Does the fuel get to the carburetor?
To check, loosen the drain screw with the tap in the ON (open) position (Figure M)
- 6- Are there sparks at the spark plug?

CORRECTIVE ACTIONS

- A. Remove the spark plug cap. Clean the outline of the spark plug base and then remove it.
- B. Replace the spark plug in its cap.
- C. Turn on the motor switch
- D. Place the spark plug over the engine to ground the side electrode and pull the launcher to check for sparks between the electrodes.
- E. If there is no spark, replace the spark plug.

SYMPTOM

Overheating

PROBABLE CAUSES

- 1- Are the ventilation air inlets blocked?
- 2- Probable overheating

CORRECTIVE ACTIONS

- 1- Clean the suction and air expulsion protectors.
- 2- Check the load.

SYMPTOM

There is no current at the outlet

PROBABLE CAUSES

- 1- Switch disconnected
- 2- Defective switch
- 3- Defective female socket
- 4- Power cord for defective devices
- 5- Defective alternator

CORRECTIVE ACTIONS

- 1- Connect the switch
- 2- Change the switch
- 3- Change the female socket
- 4- Change the cord
- 5- Check, repair or replace the alternator

SYMPTOM

Noisy machine

PROBABLE CAUSES

- 1- Bad bearings
- 2- Defective exhaust

CORRECTIVE ACTIONS

- 1- Check and replace them
- 2- Check it and replace it

SYMPTOM

The switch is switched off

PROBABLE CAUSES

- 1- Generator set overload
- 2- Defective equipment or cord

CORRECTIVE ACTIONS

- 1- Reduce the load
- 2- Check and replace it

ELECTRICAL CABLES SECTION

Intensidad suministrada	LONGITUD DE LOS CABLES		
	0 - 50 metros	51 - 100 metros	101 - 150 metros
6	1,5 mm ²	1,5 mm ²	2,5 mm ²
8	1,5 mm ²	2,5 mm ²	4,0 mm ²
10	2,5 mm ²	4,0 mm ²	6,0 mm ²

Intensidad suministrada	LONGITUD DE LOS CABLES		
	0 - 50 metros	51 - 100 metros	101 - 150 metros
12	2,5 mm ²	6,0 mm ²	10,0 mm ²
16	2,5 mm ²	10,0 mm ²	10,0 mm ²
18	4,0 mm ²	10,0 mm ²	10,0 mm ²
24	4,0 mm ²	10,0 mm ²	16,0 mm ²
26	6,0 mm ²	16,0 mm ²	16,0 mm ²
28	6,0 mm ²	16,0 mm ²	16,0 mm ²

7. TECHNICAL SPECIFICATIONS

Model	GC5500TFE	GC7000TFE
Frequency (Hz)	50	50
Voltage (V)	230V / 400V	230V / 400V
Rated power (kW)	5.0	6.0
Maximum power (kW)	5.5	6.5
DC output	12V / 8.3A	12V / 8.3A
Engine model	MA389	MA420
Fuel tank capacity (L)	28	28
Fuel Charge Continuous Run Time (h) (Full Charge)	9.5	7.5
Start system	Electrical start	Electrical start
Dimensions (Lxwxh) (mm)	710X590X600	710X590X600
Electric start with battery	YES	YES
Handle and wheels	YES	YES

8.WARRANTY

This warranty covers all material or production failures, does not include defects in normal wear parts, such as bearings, brushes, cables, plugs or accessories for the machine, damages or defects resulting from abuse, accidents or alterations suffered; nor transportation costs. It reserves the right to reject any claim where the purchase cannot be verified or when it is clear that the product was not properly maintained. (clean ventilation slots, lubrication, cleaning, storage, etc....)

Your purchase invoice should be kept as proof of the purchase date.

Your tool must be returned to your dealer in an acceptable and clean condition, in its original box, if applicable, accompanied by your corresponding proof of purchase.

13.1. WARRANTY PERIOD

- The warranty period (Law 1999/44 CE) according to the terms described below is 2 years from the date of purchase, in parts and labor, against manufacturing and material defects.

13.2. EXCLUSIONS

The warranty does not cover:

- Natural wear and tear.
- Misuse, neglect, careless operation or lack of maintenance.
- Defects caused by improper use, damages caused by manipulations carried out by personnel not authorized by Anova or use of non-original spare parts.

IT IS EXPRESSLY CLARIFIED AND INFORMED THAT DEFECTS ORIGINATED BY:

1. Improper, abusive or out-of-the-box use of the machine.
2. Poor or inadequate electrical installations.
3. Connecting the machine at wrong voltages.
4. Natural wear of the pieces.
5. Damage caused by hard or dirty water and damage caused by dry running in pressure washers and water pumps.
6. Damages due to blows, entry of foreign materials into the equipment, crushing or abrasion.
7. In 2-stroke cycle engines, damage caused by incorrect gasoline-oil mixtures, inappropriate lubricants, inappropriate fuel, poor quality or contaminated fuel.
8. In gasoline or diesel 4-stroke cycle engines as applicable, damage caused by inappropriate fuel, poor quality or contaminated fuel, lack of total or partial lubrication and the use of inappropriate lubricants.

13.4. IN CASE OF AN INCIDENCE

- The guarantee must be correctly completed with all the requested data, and accompanied by the purchase invoice.

9. ENVIRONMENT

Protect the environment. Recycle the oil used by this machine by taking it to a recycling center. Do not pour used oil into drains, land, rivers, lakes or seas.



Dispose of your machine in an environmentally friendly way. We must not dispose of machines together with household garbage. Its plastic and metal components can be classified according to their nature and recycled.



The materials used to pack this machine are recyclable. Please do not dispose of the packaging in the household waste. Dispose of these packages at an official waste collection point.

10. CE DECLARATION OF CONFORMITY

DISTRIBUTION COMPANY

MILLASUR, SL
RUA EDUARDO PONDAL, Nº 23 PISIGÜEIRO
15688 OROSO - A CORUÑA
SPAIN



CE DECLARATION OF CONFORMITY

In compliance with the different CE directives, it is hereby confirmed that, due to its design and construction, and according to the CE mark printed by the manufacturer on it, the machine identified in this document complies with the relevant and fundamental requirements in safety and health. of the aforementioned CE directives. This declaration validates the product to display the CE symbol.

In the event that the machine is modified and this modification is not approved by the manufacturer and communicated to the distributor, this declaration will lose its value and validity.

Machine name: GENERATOR

Model: **GC5500TFE/GC7000TFE**

Recognized and approved standard to which it conforms:

Directive 2006/42 / EC

Tested according to the standards:

**EN ISO 8528-13: 2016 EN 60204-1: 2006 / A1: 2009
IEC 60201-1**

Test report no: 70.403.06.263.03-07

Protection level: IP23M

Noise level dB (A): 98Db (A)

Company seal

MILLASUR, S.L.U.
Rúa Eduardo Pondal,23 - Pol.Emp..Sigüeiro
15688-Oroso-A Coruña
Tel.(+34) 981 69 64 65 - Fax (+34) 981 69 08 61
e-mail: millasur@millasur.com
CIF: B-15 749 922



01/07/2019