

ERSW8001

EMTOP
— Making Difference —

Instructions and user manual



— Making Difference —

EN



CE

Index

1. SAFETY INSTRUCTIONS
2. PRODUCT DESCRIPTION
3. TECHNICAL SPECIFICATIONS
4. INSTRUCTIONS FOR USE AND ASSEMBLY
5. MAINTENANCE AND CLEANING
6. ENVIRONMENT
7. EXPLODED VIEW

1. SAFETY INSTRUCTIONS

General safety instructions

Caution

Read all safety warnings and instructions. Failure to follow all warnings and instructions may result in electric shock, fire, and/or serious injury.



Observe the relevant safety precautions when using the tool. Working safely with this machine is only possible when you read the operating and safety information completely and strictly follow the instructions contained therein.

The term “power tool” in the warnings refers to your mains-operated (corded) power tool or battery-operated (cordless) power tool.

For safety reasons, persons unfamiliar with these operating instructions or those who are not trained should not use the product.

Note: Keep all warnings and instructions for future reference. We are not responsible for accidents or damage resulting from ignoring this manual and safety instructions. Due to technical product updates, this document is subject to change without notice.

1) Safety in the workplace

- a. Keep the work area clean and well lit to avoid accidents.
- b. Do not use power tools in explosive atmospheres, such as in the presence of flammable liquids, gases, or dust that can cause fires.
- c. Keep children and other unauthorized persons away while operating a power tool. Distractions can cause you to lose control of the tool.

2) Electrical safety

- a. Power tool plugs must match the outlet. Never modify the plug in any way. Using a proper plug reduces the risk of electric shock.
- b. Avoid body contact with grounded surfaces such as pipes, radiators, stoves, and refrigerators. There is an increased risk of electric shock if your body is grounded.
- c. Do not expose power tools to rain or wet conditions. Water entering a power tool increases the risk of electric shock.
- d. Never use the cord to carry, pull, or unplug the power tool. Keep the cord away from heat or oil, sharp edges, or moving parts.
- e. When using a power tool outdoors, use an extension cord suitable for outdoor use.
- f. Damaged or tangled cords increase the risk of electric shock.

3) Personal safety

- a. Always stay alert, watch what you are doing, and use common sense when operating the tool.
- b. Do not operate a power tool while tired or under the influence of medication or other substances. A moment of inattention while using power tools can result in serious personal injury.
- c. Use appropriate PPE. Always wear eye protection. Protective equipment such as a dust mask, non-slip safety shoes, a hard hat, or hearing protection, when

used under appropriate conditions, will reduce personal injury. Also, do not wear loose clothing or jewelry.

- d. Prevent the tool from being switched on unintentionally. Make sure the switch is in the off position before connecting it to the power source and moving it.
- e. Remove any adjusting key or wrench before turning on the power tool. A wrench or spanner attached to a rotating part of the power tool can cause serious injury.
- f. If dust extraction and collection devices are used, ensure they are properly connected. Use these devices properly and you'll reduce dust-related hazards.
- g. Maintain proper posture and balance at all times. This allows for better control of the power tool in unexpected situations.
- h. Dress appropriately. Do not wear loose clothing or jewelry. Keep hair, clothing, and gloves away from moving parts.

4) Use and care of power tools

- a. Do not force the tool. Use the correct tool for each application.
- b. Do not use a power tool if the switch is inoperative. Any power tool that cannot be controlled with the switch is dangerous and must be repaired.
- c. Disconnect the plug from the power source before making any adjustments, changing accessories, or storing the tool to avoid accidentally starting the tool.
- d. Use the power tool, accessories, etc., in accordance with these instructions, taking into account the working conditions and the task to be performed. Using the power tool for operations other than those intended could result in a hazardous situation.
- e. Store power tools out of the reach of children and do not allow unfamiliar persons to operate the tool.
- f. Maintain the product in good condition. Check for misalignment or binding of moving parts, breakage of parts, and any other conditions that may affect the operation of power tools. If damaged, have the power tool repaired before using it. Many accidents are caused by poorly maintained power tools.
- g. Keep cutting tools sharp and clean. Properly maintained cutting tools with sharp cutting edges are less likely to jam and are easier to control.

5) Service

- a. Have your power tool serviced by a qualified person and use replacement parts recommended by the manufacturer. This will ensure the safety of your power tool is maintained.

Safety symbols



Read the instruction manual before use.



Double insulation for additional protection



CE conformity.



Wear safety glasses, hearing protection, and a dust mask.



Waste electrical products should not be disposed of with household waste. Please recycle at appropriate facilities. Consult your local authority or retailer for recycling advice.



Safety Warning: Use only accessories approved by the manufacturer.

Note: The electric motor is designed for a single voltage. Always check that the power supply corresponds to the voltage indicated on the rating plate.

Other additional warnings

Reciprocating Saw Warnings

- Hold the power tool by insulated gripping surfaces when performing an operation where the cutting accessory may contact hidden wiring. A cutting accessory contacting a "live" wire can make exposed metal parts of the power tool "live" and could give the operator an electric shock.
- Use proper handling to secure and support the workpiece to a stable platform. Holding the workpiece by hand or against your body leaves it unstable and can lead to loss of control.
- Always wear safety glasses.
- Avoid cutting unsuitable objects. Inspect the workpiece and remove any objects before operation.
- Do not cut the oversized workpiece.
- Check for proper clearance beyond the workpiece before cutting so that the blade does not hit the floor, workbench, etc.
- Hold the tool firmly.
- Make sure the saw is not in contact with the workpiece before turning the switch on.
- Keep hands away from moving parts.
- Do not leave the tool running.
- Always turn off and wait for the saw to come to a complete stop before removing the blade from the workpiece.
- Do not touch the saw or the workpiece immediately after operation; they may be extremely hot and burn your skin.
- Always wear the appropriate dust mask for the material and application you are working with.
- Some materials contain chemicals that may be toxic. Take care to avoid inhalation of dust and skin contact. Follow the material supplier's safety information.
- Before operation, make sure there are no buried objects such as electrical lines, water lines, or gas lines in the workpiece. Otherwise, the saw may touch them, resulting in electric shock, electric shock, or gas leakage.

Residual risks



Even when power tools are used as directed, it is not possible to eliminate all residual risk factors. The following hazards may arise in connection with the construction and design of the power tool:

- a) Health defects resulting from vibration emission if the power tool is used for a longer period of time or is not properly managed and maintained.
- b) Injuries and property damage due to broken accessories.

Additionally, this power tool produces an electromagnetic field during operation. This field may, under certain circumstances, interfere with active or passive medical implants.

To reduce the risk of serious injury, we recommend that people with medical implants consult their physician before using this power tool.

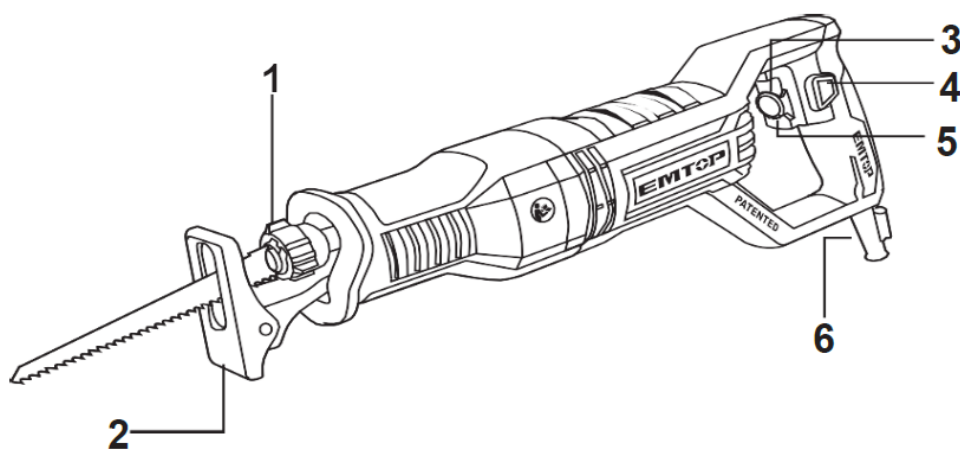
If the cable is damaged or cut during operation, do not touch it; unplug the tool immediately. Never use the machine with a damaged cable.

The machine must not be wet and must not be used in a humid environment.

⚠ Attention

Working as safely as possible with this machine is only possible when you read the operating and safety information in full and strictly follow the instructions contained therein.

2. PRODUCT DESCRIPTION



- | | |
|-------------------------|------------------|
| 1. Inserting saw blades | 4. Lock button |
| 2. Zapata | 5. ON/OFF switch |
| 3. Speed control | 6. Cable |

3. TECHNICAL SPECIFICATIONS

Characteristics		
Voltage	220-240 V ~ 50/60 Hz	
Power	750W	
No-load speed	900-3300/min	
Cutting capacity	Wood	115mm
	Aluminum	12mm
	Steel	8mm

Note: Check the tool, parts, or accessories for any damage that may have occurred during shipping. Take the time to read and understand this manual carefully before operation.

Note 2: Due to our ongoing research and development program, the specifications included in this document are subject to change without notice.

4. INSTRUCTIONS FOR USE AND ASSEMBLY

Attention

Before installing, repairing, or maintaining the appliance, always turn off the power switch and unplug the power plug.

Before initial operation, check whether the nominal frequency of the power grid corresponds to the data for the type of location.

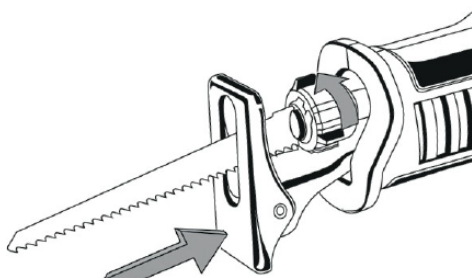
Installing and/or replacing the saw blade

Attention

When mounting the saw blade, wear protective gloves. Risk of injury from touching the saw blade.

When changing the saw blade, make sure that the saw blade holder is free of material residues, e.g., wood or metal chips.

Inserting the saw blade



Turn the locking sleeve 4 approximately 90° in the direction of the arrow and hold it down. Push the saw blade into the saw blade holder. Release the locking sleeve 4 again.

Checking the saw blade holder seat

A loose saw blade can fall and cause injury. For certain jobs, the saw blade can also be rotated 180° (with the teeth facing upward) and reinserted.

Remove saw blade

Turn the locking sleeve 4 approximately 90° in the direction of the arrow and hold it down. Remove the saw blade.

Dust and chip extraction

Dust from materials can be harmful to health. Touching or inhaling dust can cause allergic reactions and/or respiratory infections in the user or bystanders.

Certain dusts are considered carcinogenic, especially in relation to wood treatment additives (chromate, wood preservative).

Materials containing asbestos may only be handled by specialists.

- Ensure good ventilation of the workplace.
- Observe the relevant regulations in your country for the materials you will be working with.

- Avoid dust accumulation in the workplace. Dust can easily ignite.

Operating instructions

Warning

Always observe the safety instructions and applicable regulations.

Observe the correct mains voltage! The power supply voltage must match the voltage specified on the machine's nameplate.

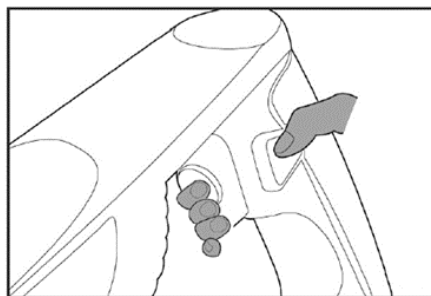
Pivoting and retractable plate

Due to its mobility, the adjustable footrest adapts to the required angular position of the surface.

Depending on the saw blade used and the application, the platform can be moved longitudinally in three steps. Press the footrest release button and slide the footrest to the required position.

Release the footrest release button and check that the footrest is securely locked. Slide the footrest as needed until it is securely locked.

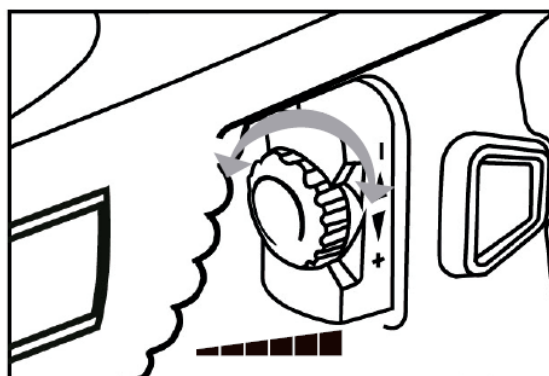
On and off




To turn on the machine, press and hold the ON/OFF switch. To lock the ON/OFF switch, press the lock button.

To turn off the machine, release the ON/OFF switch or when locked with the lock button, briefly press the ON/OFF switch and then release it.

Cruise control



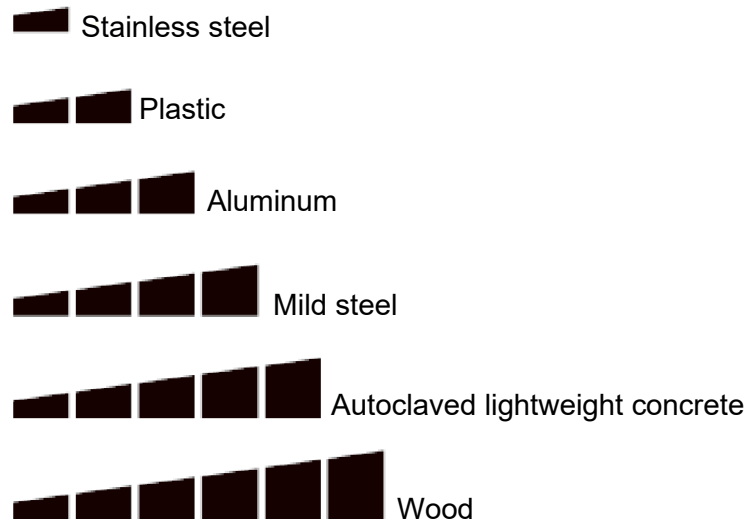
Strokes per minute can be adjusted by simply turning the adjustment dial, even while the tool is running.

The dial is marked as speed  lowest to maximum speed. Turn the adjustment dial without positive stops between the lowest speed and maximum speed according to your work.

Refer to the table to select the appropriate speed for the workpiece being cut. However, the appropriate speed may differ depending on the type or thickness of the workpiece.

In general, a higher speed will allow you to cut workpieces faster, but blade life will be reduced.

Measures speed and meaning



Note: If the tool is operated continuously at low speeds for an extended period of time, motor life will be reduced.

The speed adjustment dial can only be turned to the maximum and minimum speeds. Do not force it beyond the maximum or lowest speed, or the speed adjustment function may stop working.

5. MAINTENANCE AND CLEANING

- Good maintenance is essential for safe and efficient operation.
- Store the machine, operating instructions, and any accessories in their original packaging. This way, you'll always have all the information and parts at hand.
- Pack the product well or use the original packaging to prevent damage during shipping. Wear protective gloves.
- Store the machine in a dry, well-ventilated area. Do not store fuel near the machine.
- Make sure the tool is disconnected from the power supply before performing any maintenance.
- If the power cord is damaged, it must be replaced by the manufacturer, its distributor, or qualified personnel authorized by the brand to avoid danger or damage.

Cleaning

- Keep the safety devices, ventilation slots, and motor housing as free of dirt and dust as possible. Clean by wiping with a clean cloth or blowing with low-pressure compressed air.
- We recommend that you always clean the tool immediately after use.
- Clean the tool regularly by wiping it with a damp cloth and a little mild soap. Do not use cleaners or solvents; these will attack the tool's plastic parts. You should also make sure that water does not enter the interior.

6. ENVIRONMENT

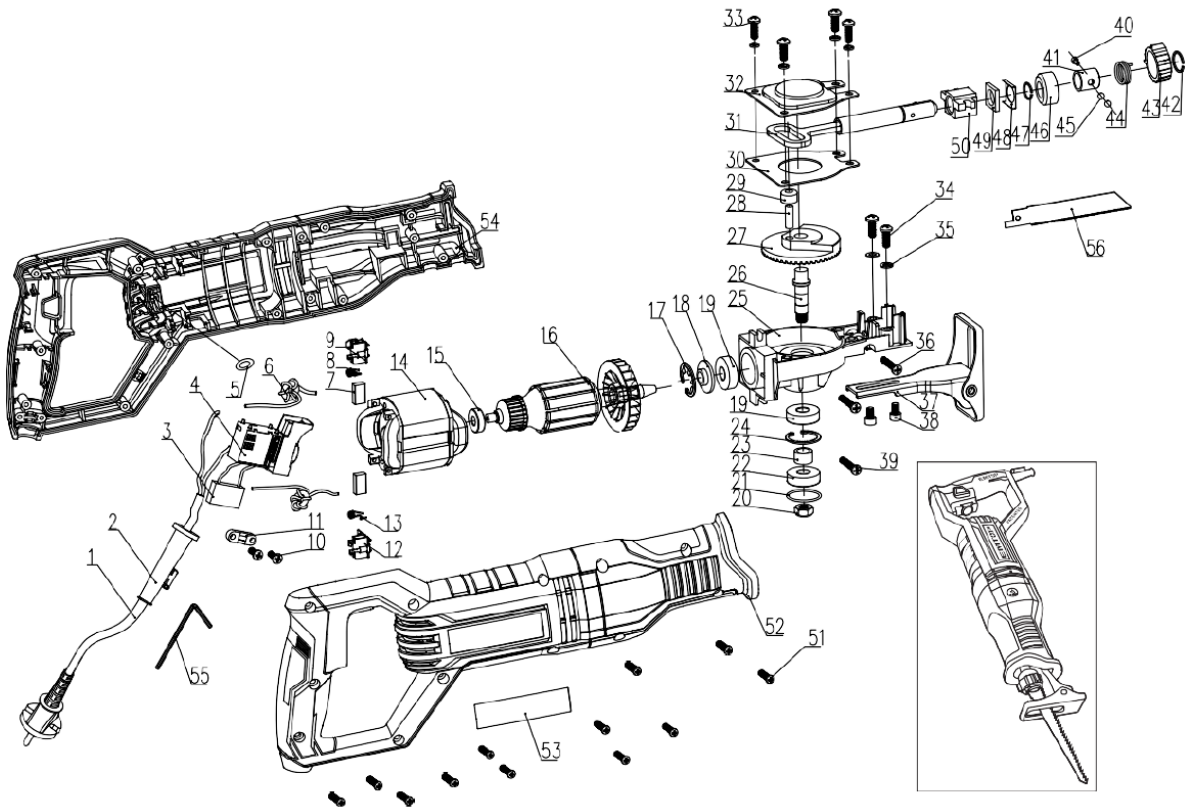
Protect the environment. Recycle the oil (if used by this machine) by taking it to a recycling center. Do not pour used oil into drains, land, rivers, lakes, or oceans.

Dispose of your machine in an environmentally friendly manner. Machines should not be disposed of with household waste. Their plastic and metal components can be sorted according to their nature and recycled. The materials used to package this machine are recyclable. Please do not dispose of the packaging with household waste. Dispose of this packaging at an official waste collection point.



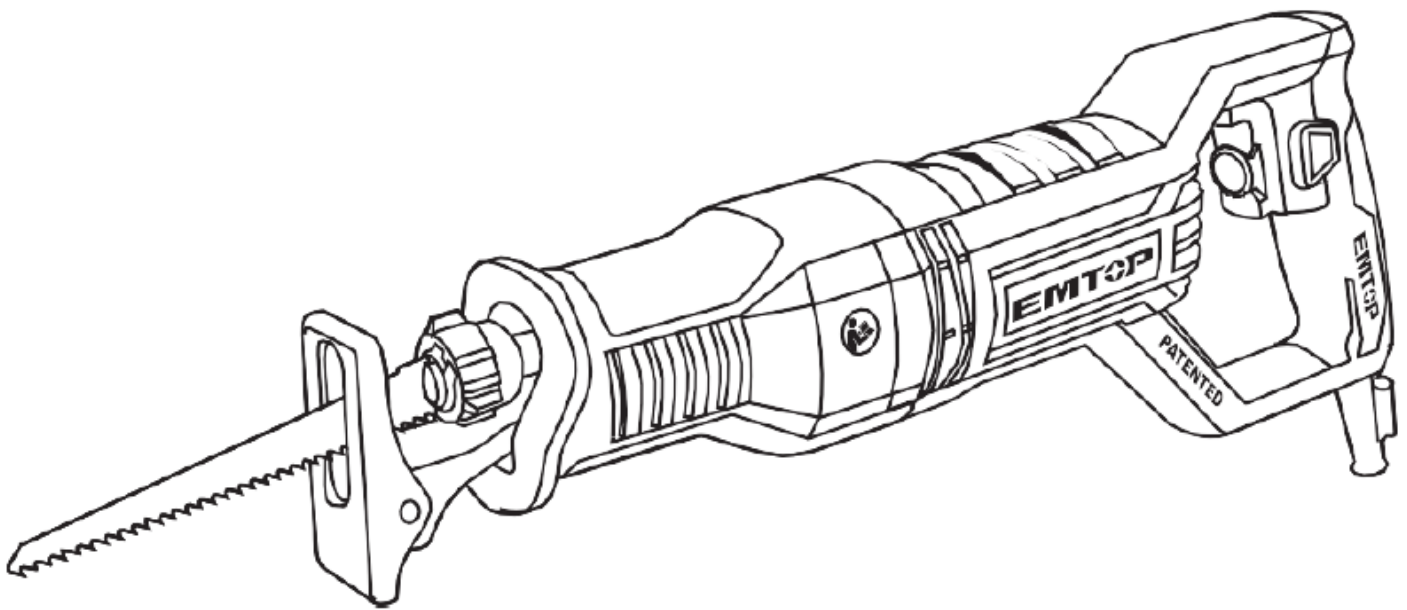
- Do not dispose of electrical appliances as unsorted municipal waste; use separate collection facilities.
- Contact your local authority for information on available collection systems.
- If electrical appliances are disposed of in landfills, hazardous substances can leach into groundwater and enter the food chain, harming your health and well-being.
- Recycle raw materials instead of disposing of them as waste.
- The machine, accessories and packaging must be sorted for environmentally friendly recycling.

7. EXPLODED VIEW



EMTOP

— Making Difference —



— Making Difference —