

Battery-powered blower

E40SB

ALNOVA

Instructions and user manual



ALNOVA[®] e+

EN

Millasur SLU
Rúa Eduardo Pondal, nº 23 - Pol. Ind. Sigüeiro
15688 - Oroso - A Coruña - 981 696 465 - www.millasur.com





Anova wishes to congratulate you on choosing one of our products and guarantees you the assistance and cooperation that has always distinguished our brand over time.

This machine is designed to last for many years and be very useful if used according to the instructions in the user manual. We therefore recommend that you read this instruction manual carefully and follow all our recommendations.

For more information or questions, you can contact us through our web support services such as www.anova.es

INFORMATION ABOUT THIS MANUAL

Pay attention to the information provided in this manual and on the appliance for your safety and that of others.

- This manual contains instructions for use and maintenance.
- Take this manual with you when working with the machine.
- The contents are correct at the time of printing.
- We reserve the right to make changes at any time without affecting our legal responsibilities.
- This manual is considered an integral part of the product and must remain with it in the event of loan or resale.
- Ask your dealer for a new manual in case of loss or damage.

READ THIS MANUAL CAREFULLY BEFORE USING THE MACHINE



To ensure your machine provides the best results, please read the operating and safety instructions carefully before using it.

OTHER WARNINGS:

Incorrect use could cause damage to the machine or other objects.

Adapting the machine to new technical requirements could cause differences between the content of this manual and the purchased product.

Read and follow all instructions in this manual. Failure to follow these instructions could result in serious personal injury..

INDEX

1. SAFETY INSTRUCTIONS
2. PRODUCT DESCRIPTION
3. TECHNICAL SPECIFICATIONS
4. ASSEMBLY AND OPERATION
5. MAINTENANCE
6. WARRANTY
7. ENVIRONMENT
8. EXPLODED VIEW
9. CE CERTIFICATE

1. SAFETY INSTRUCTIONS

1.1. General safety instructions

Important



Be sure to read and understand all safety instructions in this instruction manual, including all safety alert symbols, before using this tool. Failure to follow all instructions listed below may result in electric shock, fire, and/or serious personal injury.

Operating any power tool can cause foreign objects to fall into the eyes, which can cause serious eye damage. Before starting to use a power tool, always wear safety goggles and a full-face shield when necessary. We recommend a wide-vision safety shield to wear over eyeglasses or standard safety glasses with side shields.

1.2. Safety symbols

This section shows and describes the safety symbols that may appear on this product. Read, understand, and follow all instructions before attempting to assemble and operate the machine.



Caution: Danger. Indicates a potential risk of personal injury.



To reduce the risk of injury, the user must read and understand the owner's manual before using this product. Failure to do so may result in serious injury to the operator and/or bystanders.



Use appropriate, approved protective equipment for machine use. Wear hearing protection, head protection, safety gloves, and non-slip footwear. These protective measures will help reduce possible injuries.



Keep other people out of the work area during operation. The distance between the machine and other people must be at least 15 meters.



Do not use the machine when it's raining or when the grass is wet. Do not expose the appliance to rain or use it in wet conditions.



Remove the battery from the device before any extension, cleaning and/or maintenance work.



Noise label



Disposal of batteries, other products, and other waste. Recycle and consult the environmental section.

1.3. General safety instructions

Read all safety warnings, instructions, illustrations, and specifications provided with this tool. Failure to follow all instructions listed below may result in serious injury to both persons and the unit.

Keep all warnings and instructions for future reference.

1.3.1. Safety in the workplace

- Keep your work area clean and well-lit. Cluttered or dark areas invite accidents.
- Do not use power tools in explosive atmospheres, such as in the presence of flammable liquids, gases, or dust. Power tools create sparks that can ignite the dust or fumes.
- Keep children, other people and/or pets away while using a power tool (battery operated).
- Distractions can cause you to lose control.
- Avoid hazardous environments: Do not use tools in wet or damp locations.

1.3.2. Personal safety

- Stay alert, watch what you are doing, and use common sense when using a power tool. Do not operate a power tool while tired or under the influence of substances that impair control. A moment of inattention while using power tools can result in serious personal injury.
- Always use personal protective equipment. Personal protective equipment such as eye protection, a dust mask, non-slip safety shoes, a hard hat, and/or hearing protection, when used under appropriate conditions, will reduce personal injury.
- Avoid unintentional starting. Make sure the switch is in the off position before connecting the battery, picking up, or carrying the tool. Carrying power tools with your finger on the switch or turning on power tools with the switch on can cause accidents.
- Remove any wrench or adjusting key before turning on the power tool. A wrench or key attached to a moving part of the power tool can cause personal injury.
- Don't overreach. Maintain proper footing and balance at all times. This allows for better control of the power tool in unexpected situations.
- Dress appropriately. Do not wear loose clothing or jewelry. Keep your hair and clothing away from moving parts. Loose clothing, jewelry, or long hair can get caught in moving parts.
- If devices are provided for connecting dust extraction and collection facilities, ensure they are connected and used correctly. Using dust collection can reduce dust-related hazards.
- Don't let familiarity gained from frequent tool use allow you to become complacent and ignore tool safety principles. A careless action can result in serious injury in a split second.

1.4. Safety on the use and care of power tools

- Do not force the power tool. Use the appropriate power tool for your application. The right power tool will do the job better and safer at the rate it was designed to do.
- Do not use the power tool if the switch does not turn it on and off. Any power tool that cannot be controlled with the switch is dangerous and must be repaired.

- Remove the battery pack, if detachable, from the power tool and/or activate any battery disable device before removing jammed material, making adjustments, changing accessories, cleaning, or storing power tools.
These preventive safety measures reduce the risk of accidentally starting the power tool.
- Store idle power tools out of the reach of children and do not allow persons unfamiliar with the power tool or these instructions to operate the power tool.
Power tools are dangerous in the hands of untrained users.
- Maintain power tools and accessories. Check for misalignment or binding of moving parts, breakage of parts, and any other conditions that may affect the power tool's operation. If damaged, have the power tool repaired before using it. Many accidents are caused by poorly maintained power tools and accessories.
- If present, keep cutting tools sharp and clean.
Properly maintained cutting tools with sharp cutting edges are less likely to bind and are easier to control.
- Use the power tool, accessories, etc., in accordance with these instructions, taking into account the working conditions and the task to be performed. Using the power tool for operations other than those intended could result in a hazardous situation.
- Keep handles and gripping surfaces dry, clean, and free of oil and grease. Slippery handles and gripping surfaces can cause unsafe handling and/or loss of control of the tool.
- Keep cables away from the tool's work area. During operation, cables may become hidden from view and may be accidentally damaged by the tool.

1.5. Safety on the use and care of battery-powered tools

- Recharge only with the charger approved by the manufacturer.
A charger suitable for one type of battery may create a fire hazard when used with another battery. Use only with the correct battery packs and chargers.
- Use power tools only with specifically designated battery packs. Use of any other battery pack may present a risk of injury and fire.
- When the battery is not in use, keep it away from other metal objects, such as paper clips, coins, keys, nails, screws, or other small metal objects that can establish a connection from one terminal to another.
A short circuit between the battery terminals can cause burns or a fire.
- Under abusive conditions, battery fluid may leak; avoid contact. If accidental contact occurs, rinse with water. If fluid gets into your eyes, also seek medical help. Ejected battery fluid can cause irritation or burns.
- Do not use a damaged or modified battery or tool. Damaged or modified batteries may exhibit unpredictable behavior, resulting in fire, explosion, or risk of injury.
- Do not expose a battery or tool to fire or excessive temperatures.
Exposure to fire or temperatures above 212°F (100°C) may cause an explosion.
- Follow all charging instructions and do not charge the battery or tool outside the temperature range specified in the instructions. Charging incorrectly or at temperatures outside the specified range can damage the battery and increase the risk of fire.

1.6. Service and maintenance

- Have your power tool/battery product serviced by a qualified technician using only manufacturer-approved replacement parts. This will ensure the tool's safety is maintained.
- Never service damaged battery packs.

- Battery packs should only be serviced by the manufacturer or authorized service providers.

1.7. Blower Safety Instructions

- Use the appliance only in daylight or good artificial light.
- Keep all cooling air inlets free of debris.
- Never blow debris in the direction of people standing nearby.
- Before starting the machine, make sure the tube inlet is empty.
- Keep your face and body away from the air intake opening.
- Do not allow hands or any other part of the body or clothing to enter the tube inlet, discharge chute, or near any moving parts.
- Inspect the unit to ensure there is no debris or foreign material in the machine before operating it.
- Never use the machine with defective guards or shields, or without safety devices, or if the battery charger cable is damaged or worn.
- Don't overdo it. Keep your balance at all times and always make sure you have good footing on slopes. Walk, never run.
- Stop the machine and remove the battery. Ensure all moving parts have come to a complete stop. Always leave the machine before removing a blockage, before checking, cleaning, or working on the machine after striking a foreign object to inspect the machine for damage.
- If the machine starts to vibrate abnormally, inspect for damage, replace damaged parts, and check and tighten loose parts.
- Do not place any objects in any opening. Do not use with any opening blocked; keep it free of dust, lint, hair, and anything that may reduce airflow.
- Take special care when cleaning stairs.

1.8. Other important safety instructions

- If the power tool begins to vibrate abnormally or make noise, stop the engine and immediately check the cause. Abnormal noise is usually a warning of trouble.
- Ensure all appropriate guards and other safety devices are properly and securely in place before using this product. Do not use without guards in place.
- Do not charge the battery in the rain or in humid locations.
- Do not dispose of the battery in a fire. The cells may explode. Consult local codes for any special disposal instructions.
- Do not open or break the battery. Released electrolyte is corrosive and can cause eye or skin damage. It can be toxic if swallowed.
- Battery-powered tools do not need to be plugged into an electrical outlet; therefore, they are always in working order. Be aware of potential hazards even when the tool is not in use. Take care when performing maintenance or service.
- Do not hose down the product. Avoid getting water into the motor and electrical connections.
- If situations arise that are not covered in this manual, please use caution and good judgment. Contact your authorized Anova dealer for assistance and/or advice.
- Save these instructions. Refer to the manual frequently and use it to instruct others who may use this tool. If you lend this tool to someone else, also lend these instructions to prevent misuse and possible injury.

1.9. Residual risks

▲ Important

Even if the product complies with relevant safety regulations, there may be residual risks given the characteristics of the equipment and the work for which it was designed.

Failure to follow the instructions in the instruction manual may result in other residual risks due to improper use.

Residual risks can be minimized by following the safety instructions.

- You will reduce the risk of personal injury and damage to equipment by following these instructions and exercising caution.
- Failure to follow these safety instructions may result in injury to the operator or damage to property.
- Lack of care, improper use, or failure to follow safety rules can cause injuries to hands and fingers when the wedge is in motion.
- There is a risk of electrocution if you use non-approved electrical connections.
- There is a risk of hearing loss when working with the machine without protection for long periods.

Note: Even if you take preventive measures, there may be residual risks that are not obvious.

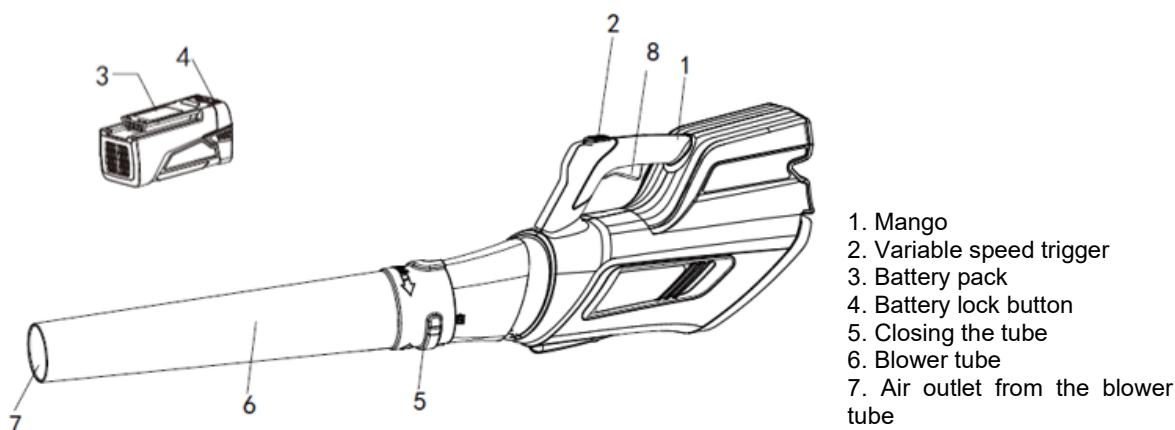
▲ Warning

This power tool generates a magnetic field during operation. Under certain circumstances, this field may impair the function of active or passive medical implants. To reduce the risk of serious injury or death, we recommend that individuals with a medical implant consult a physician and the medical implant manufacturer before using the device.

Note: In this manual, we refer to power tools when referring to tools powered by a cable or battery pack (cordless).

2. PRODUCT DESCRIPTION

2.1. Parts of the machine



Note: Due to technical product updates, this document is subject to change without notice. Not all accessories are required to be included in the product delivery and may need to be purchased separately.

Safe use of this product requires understanding the information on the blower and in this operator's manual, as well as a knowledge of the project being undertaken. Before using this product, familiarize yourself with all operating features and safety rules.

Note: The blower tube can be installed on the blower without the use of tools.

2.2. Intended use

The leaf blower is designed to blow dry leaves and light garden debris, such as dry grass, twigs, and dry fir and pine needles. It can also be used to clean hard surfaces, such as driveways and walkways, among others.

Do not use this product in any way other than its intended use. Failure to comply with the general regulations in force and the instructions in this manual shall not entitle the manufacturer/distributor to any damage.

▲ Warning

Risk of injury. Never operate the machine with a damaged cover or guard or without a cover/guard.

To avoid serious personal injury, always remove the battery and keep hands away from the variable speed trigger when carrying the tool.

3. TECHNICAL SPECIFICATIONS

| Technical specifications | |
|--------------------------------|-----------------|
| Voltage | 40V |
| RPM | 20000 ± 10% rpm |
| Maximum blowing speed | 45m/s (max.) |
| Maximum air volume flow | 500 CFM (max.) |

Note: Due to technical product updates, this document is subject to change without notice.

4. ASSEMBLY AND OPERATION

4.1. Unpacking

After unpacking the product, check the contents of the box:

- Place the shipping box on a solid, flat surface.
- Verify that all blower parts and accessories are in the box before beginning assembly.

▲ Attention

Make sure it contains all the specified materials. Check that it has not been damaged in transit. Do not discard the packaging material until you have carefully inspected and satisfactorily used the tool.

Immediately report any damage or missing parts to the distributor or supplier, as claims filed after this date will not be honored.

4.1. Mounting

▲ Warning

If any part is damaged or missing, do not use this product until it is replaced. Using this product with damaged or missing parts could result in serious personal injury.

Do not attempt to modify this product or create accessories not recommended for use with this blower. Any such alteration or modification constitutes misuse and could result in a hazardous condition that could cause serious personal injury, voiding the warranty.

To prevent accidental starting which could cause serious personal injury, always remove the plug/battery pack from the tool when assembling parts, making adjustments, cleaning, or when not in use.

4.1.1. Mounting the blower tube

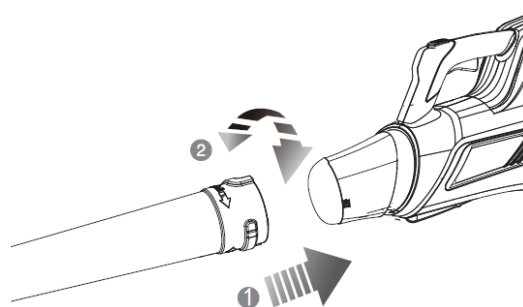


Fig. 2

- With the logo area facing up, slide the blower tube over the blower housing outlet while pressing the tube latch.
- Slide the blower tube over the housing outlet until the tube latch snaps into place through the blower tube opening.
- To clear wet leaves or heavier debris, install the high-velocity nozzle by connecting it to the blower tube outlet. Make sure the nozzle fits into the nozzle tab to secure it in place.

4.2. Start-up

▲ Warning

Make sure the blower tube is in position before operation.

Always wear eye protection that is marked to meet applicable safety standards. Otherwise, objects could be thrown into your eyes and other serious injuries could occur.

Do not use any accessories not recommended by the manufacturer of this product. The use of non-recommended accessories may cause serious personal injury and will void the product warranty.

To avoid serious personal injury, remove the battery plug from the tool before performing maintenance, cleaning, changing accessories, or removing material from the unit.

4.2.1. Connecting and disconnecting the battery

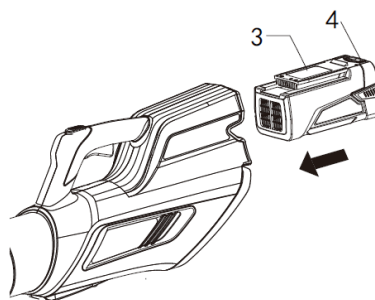


Fig. 3

This blower has a quick-connect battery pack. Use it with the battery and charger that matches your battery tool.

NOTE: Fully charge the battery before first use.

To connect the battery

1. Place the battery in the blower. Align the slots on the battery with the slots in the blower's battery port.
2. Make sure the latch on the bottom of the battery clicks into place and the battery is securely fastened to the blower before use.

When installing the battery in the blower, make sure the slots on the battery align with the slots on the top of the blower. Make sure the battery is fully inserted and securely locked in place. Incorrect battery installation can cause damage to internal components.

To remove the battery

- Release the variable speed trigger (2) to stop the blower.
- Press and hold the button on the bottom of the battery.
- Remove the battery from the blower.

4.2.2. Holding and using the blower

▲ Warning

Dress appropriately to reduce the risk of injury when using this tool. Do not wear loose clothing or jewelry. Use eye, ear, and hearing protection. Wear long, sturdy pants, boots, and gloves. Do not wear shorts, sandals, or go barefoot. Wear a respirator or dust mask in dusty areas.



Before operating, look around to ensure a safe work area free of other people and animals. Make sure others are at an appropriate safety distance. Remove all objects, such as rocks, broken glass, nails, wires, or ropes.

Dust may be raised during operation: Raised dust can damage your respiratory tract and cause allergic reactions. If dust is generated: Wear a dust respirator. Ensure you have eye protection, appropriate clothing, and a balanced stance.

Bystanders may still be at risk from thrown objects. Bystanders should be encouraged to wear eye protection. If anyone approaches them, stop the engine immediately.

Hold and control the blower with one hand on the carrying handle; wrap your thumb around the handle.

4.3. Starting and stopping the blower

Don't let familiarity with tools make you careless. Remember that a split second of carelessness can cause serious injury.

4.3.1. Turning the blower on/off

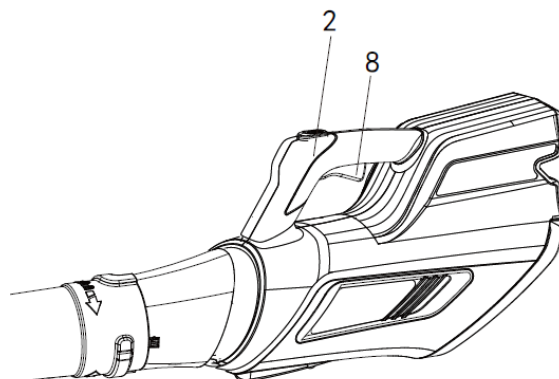


Fig. 4

- To turn on the blower: Activate the switch and hold down the variable speed trigger (item 2). The longer you press it, the higher the air speed.
- To turn off the blower: just turn off the switch.

Battery-powered tools are always in working order. Therefore, the switch should always be in the OFF position when not in use or when carrying the tool.

4.4. Blower operation

- To avoid scattering waste, blow around the outer edges of the waste pile. Never blow directly toward the center of the pile.
- To reduce noise levels, limit the number of devices used at the same time.
- Use rakes and brooms to loosen debris before blowing. In dusty conditions, lightly dampen the surface when water is available.
- Be careful around children, pets, open windows, or recently washed cars, and blow away debris safely.
- After using blowers or other equipment, clean up. Dispose of waste properly.
- To decrease the air speed, turn the control lever counterclockwise.

5. MAINTENANCE

▲ Warning

When performing maintenance, use only manufacturer-approved replacement parts. The use of any other parts may create a hazard or cause damage to the product. To ensure safety and reliability, all repairs must be performed by an authorized dealer/distributor.

Never use water to clean your blower. Avoid using solvents when cleaning plastic parts. Most plastics are susceptible to damage from various types of commercial solvents. Use clean cloths to remove dirt, dust, oil, grease, etc.

To avoid serious personal injury, always remove the power cord from the product when cleaning or performing any maintenance.

All maintenance, except for those items listed in these maintenance instructions, must be performed by your authorized dealer. If you have any questions, do not perform any maintenance without first consulting your dealer.

5.1. Cleaning

- Remove the battery plug from the tool.
- Clean the blower with a damp cloth.
- Clean the vents with a paintbrush.
- Clean the guard with a paintbrush or soft brush.

5.2. Transport and storage

- Clean the tool thoroughly before storing it.
- Store the tool indoors in a dry place out of reach of children and unauthorized persons.
- Keep it away from corrosive agents such as products.

Danger

Insufficient maintenance and care can lead to unexpected accidents and injuries. Repairs and work required for proper use of the machine must be performed by qualified and authorized personnel. For more extensive maintenance or repairs, return the machine to your authorized dealer. Power tool repairs must be performed by a specialized service center.

Note: If you have any questions or problems persist, please contact your dealer or service center.

6. WARRANTY

If your product experiences a manufacturing defect during the established warranty period, please contact or go to your point of sale directly with the necessary documentation.

Your purchase invoice must be kept as proof of the purchase date. Your tool must be returned to your dealer in acceptable, clean condition, in its original molded case, if applicable, accompanied by your corresponding proof of purchase.

6.1. Warranty period

The legal warranty period for the product begins on the original date of purchase by the initial purchaser and will last as long as established by the Royal Decree-Law on the protection of consumers and users against situations of social and economic vulnerability for the year corresponding to the time of purchase of the product.

Some countries do not allow limitations on how long an implied warranty lasts or do not allow the exclusion or limitation of consequential or incidental damages, so the above limitation and

exclusion may not apply to you. This warranty gives you specific legal rights, and you may also have other rights that vary from state to state or country to country.

6.2. Exclusions

This warranty does not cover damage to the product or performance problems caused by:

- Natural wear and tear due to use.
- Misuse, negligence, careless operation or lack of maintenance.
- Defects caused by improper use, damage caused by manipulation carried out by personnel not authorized by Anova, or use of non-original spare parts.
- Defects in normal wear parts, such as bearings, brushes, cables, plugs, or accessories such as drills, bits, saw blades, etc.
- Damage or defects resulting from abuse, accidents or alterations.
- Incorrect use and storage (explicit reference that the rules described in the operating instructions have not been followed).
- Wear caused by the customer (e.g. broken saw blades, consumed carbon brushes, etc.).
- Wear and secondary damage due to lack of maintenance, repair, lubricants (e.g., overheating damage due to blocked cooling slots, bearing damage due to dirt, frost damage, etc.)
- Damage as an obvious result of overuse/overload.
- Damage caused by inappropriate supplies (e.g., incorrect fuel)
- Load-induced fracture of housing components or accessories due to abnormal stress
- Load-induced deformation of housing components or accessories due to abnormal stress.
- Damage resulting from the operation of supplies that are overfilled or leak due to improper storage, inappropriate cleaning agents, or other damaging chemical components.
- Damage due to improper exposure to extreme temperatures (e.g., frost fractures, thermal deformation of components, etc.)
- Damage from permanent exposure to ultraviolet radiation.
- Damage caused by inadequate maintenance.
- Any damage caused by non-compliance with the instruction manual
- Any product that has been attempted to be repaired by an unqualified professional.
- Any product connected to an improper power source (amps, voltage, frequency).
- Any damage caused by external influences (water, chemicals, physical, impacts) or foreign substances.
- Use of unsuitable accessories or parts.
- It does not include defects due to normal wear and tear, nor does it cover damage or defects resulting from abuse, accidents or alterations, nor transportation costs.

The warranty is also void if the product has been altered or modified, or if the machine's trademark/serial number has been defaced or removed.

Routine maintenance, tune-ups, adjustments, or normal wear and tear are not covered under this warranty.

This manual does not cover all possible warranty exclusions; for more information, please contact your nearest Anova dealer.

6.3. In case of incident

The warranty must be properly completed with all the requested information and accompanied by the purchase invoice.

Anova reserves the right to reject any claim where the purchase cannot be verified or where it is clear that the product was not properly maintained (maintenance, clean ventilation slots, lubrication, carbon brushes regularly serviced, cleaning, storage, etc.).

Private use is defined as personal domestic use by an end consumer. Commercial use, on the other hand, refers to all other uses, including uses for business, income-generating, or rental purposes. Once a product has been used for commercial purposes, it will henceforth be considered a commercial product for the purposes of this warranty.

These are our standard warranty terms, but occasionally there may be additional warranty coverage not specified at the time of publication. For more information, please contact your nearest authorized Anova dealer or visit www.millasur.com.

Warranty service is only available through official Anova dealers. You can find your nearest dealer on our dealer map at www.anova.es.

7. ENVIRONMENT



It's essential to ensure that products and their components are disposed of responsibly to protect the environment. Below, you can find general guidelines for the proper disposal of various materials used in your machine.

Dispose of your machine in an environmentally friendly manner. Machines should not be disposed of with household waste. Their plastic and metal components can be sorted according to their nature and recycled.

When disposing of machinery or metal products, keep in mind that their metal components, such as iron, steel, or aluminum, must be properly recycled in metal recycling facilities. This will contribute to the possibility of reusing them in the manufacture of new products.

Oils and Fuels

Used oils and fuels, among other things, must be properly recycled. Do not pour these liquids into drains, soil, rivers, lakes, or seas, as they can cause serious environmental damage. Direct them to a recycling center or specialized collection point. This process helps prevent water and soil contamination and, if possible, allows the oils to be reused safely.

Plastics

Plastics should be separated and taken to specific recycling points. Do not dispose of them with general household waste. Plastics can be recycled, contributing to waste reduction.

Cardboard

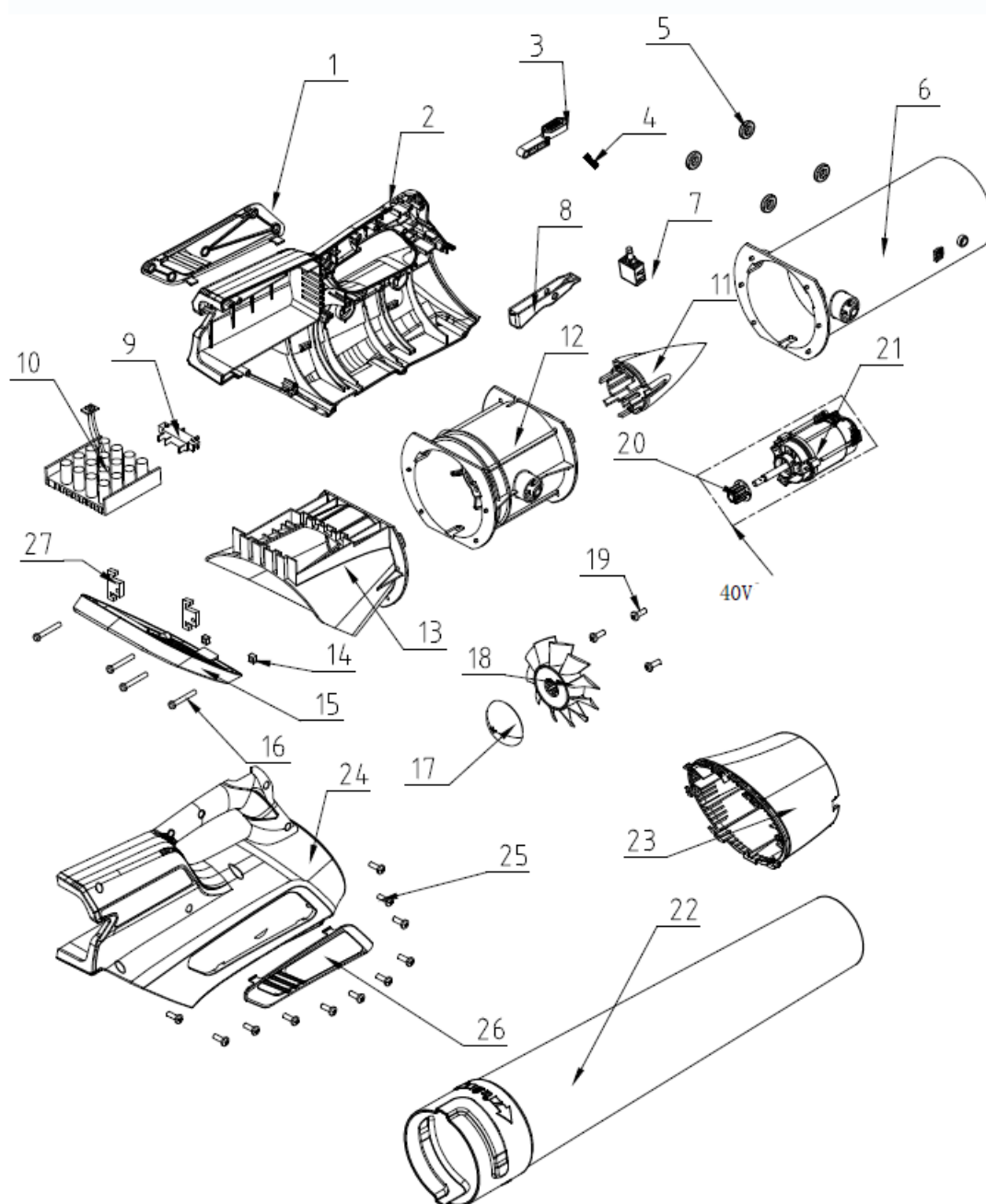
Packaging materials, such as cardboard, are recyclable. Be sure to separate clean, dry cardboard and place it in designated recycling containers or at an official waste collection point. Do not dispose of it with household waste.

Batteries

Batteries, accumulators, and other electronic components from the machines must be disposed of at designated collection points to prevent the release of toxic substances into the environment. Do not dispose of them with regular trash. Take them to appropriate recycling centers for safe and responsible handling.

By following these guidelines, you are contributing to environmental protection and resource conservation. For more information on disposal and recycling, please contact your local authorities for further information.

8. EXPLODED VIEW



9. CE CERTIFICATE

DISTRIBUTION COMPANY

MILLASUR, SL
 RUA EDUARDO PONDAL, Nº 23 PISIGÜEIRO
 15688 OROSO - A CORUÑA
 SPAIN



EC DECLARATION OF CONFORMITY

In compliance with the various EC directives, it is hereby confirmed that, due to its design and construction, and according to the CE mark printed on it by the manufacturer, the machine identified in this document complies with the relevant and fundamental health and safety requirements of the aforementioned EC directives. This declaration qualifies the product for displaying the CE symbol.

If the machine is modified and this modification is not approved by the manufacturer and communicated to the distributor, this declaration will lose its value and validity.

Machine name: BATTERY BLOWER

Model: **E40SB**
 [BLB40]

Recognized and approved standard to which the following are adapted:

Directive 2006/42/EC
2014/30/EU

Tested according to regulations:

EN 62233:2008
EN 60335-1:2012+A11:2014+A13:2017+A1:2019+A2:2019+ A14:2019+A15:2021
EN 50636-2-100:2014

Company seal

MILLASUR, S.L.U.
 Rúa Eduardo Pondal, 23 - Pol. Emp. Sigüeiro
 15688-Oroso-A Coruña
 Tel. (+34) 981 69 64 65 - Fax (+34) 981 69 08 61
 e-mail: millasur@millasur.com
 CIF: B-15 749 922

09/30/2025