

# Battery-powered lawnmower

# E40CC46

*ALNOVA*<sup>®</sup>

*Instructions and user manual*



**ALNOVA<sup>®</sup> e+**

EN

Millasur SLU  
Rúa Eduardo Pondal, nº 23 - Pol. Ind. Sigüeiro  
15688 - Oroso - A Coruña - 981 696 465 - [www.millasur.com](http://www.millasur.com)





**Anova** We would like to congratulate you on choosing one of our products and guarantee the assistance and cooperation that has always distinguished our brand over time.

This machine is designed to last for many years and to be of great use if used according to the instructions in the user manual. We therefore recommend that you carefully read this instruction manual and follow all our recommendations.

For more information or questions, you can contact us through our web support at [www.anova.es](http://www.anova.es)

## INFORMATION ABOUT THIS MANUAL

Pay attention to the information provided in this manual and on the appliance for your safety and the safety of others.

- This manual contains instructions for use and maintenance.
- Take this manual with you when you go to work with the machine.
- The content is correct at the time of printing.
- We reserve the right to make changes at any time without affecting our legal responsibilities.
- This manual is considered an integral part of the product and must remain with it in case of loan or resale.
- Request a new manual from your distributor if it is lost or damaged.

## READ THIS MANUAL CAREFULLY BEFORE USING THE MACHINE



To ensure your machine delivers the best results, carefully read the usage and safety guidelines before using it.

## OTHER WARNINGS:

Improper use could cause damage to the machine or other objects.

Adapting the machine to new technical requirements could cause differences between the content of this manual and the product purchased.

Read and follow all instructions in this manual. Failure to follow these instructions could result in serious personal injury.

# INDEX

---

1. SAFETY INSTRUCTIONS
2. PRODUCT DESCRIPTION
3. TECHNICAL SPECIFICATIONS
4. OPERATING INSTRUCTIONS
5. MAINTENANCE
6. TROUBLESHOOTING
7. WARRANTY
8. ENVIRONMENT
9. EXPLODED VIEW
10. CE CERTIFICATE

# 1. SAFETY INSTRUCTIONS

## 1.1. General safety instructions

### Important


















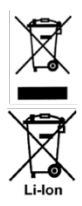
Make sure to read and understand all safety instructions in this instruction manual, including all warning symbols, before using this tool. Failure to follow all instructions listed below may result in electric shock, fire, and/or serious personal injury.

The operation of any power tool (corded or battery-powered) can cause foreign objects to fall into the eyes, which can result in serious eye injury. Before using any power tool, always wear safety glasses and a full-face shield when necessary. We recommend a wide-vision safety mask to be worn over safety glasses with side shields.

## 1.2. Safety symbols

This section shows and describes the safety symbols that may appear on this product. Read, understand, and follow all machine instructions before attempting to assemble and use it.

	Caution: Danger. Indicates a potential risk of personal injury.
	Indicates a potential risk of personal injury.
	To reduce the risk of injury, the user must read and understand the user manual before using this product. Failure to do so may result in serious injury to the operator and/or bystanders.
	Use appropriate and approved personal protective equipment (PPE) when operating the machine. Wear ear protection, head protection, safety gloves, and non-slip footwear. These protective measures will help reduce the risk of injury.
	Danger: Keep hands away from blades. Contact with the blade will cause serious personal injury.
	Do not use the machine when it is raining or when the lawn is wet. Do not expose the appliance to rain and do not use it in humid conditions.
	Remove the battery before performing maintenance.
	Always remove the security key before performing maintenance.
	Remove any objects before using the product that could become trapped or ejected by it.
	Never put your hands or feet near or under rotating parts.

	<p>Projectiles can cause serious personal injury and/or property damage. Keep bystanders, especially children, and pets at least 15 meters away from the work area.</p>
	<p>Danger of explosion! Never throw batteries into fire.</p>
	<p>Do not throw the batteries in the water.</p>
	<p>Work diagonally, never up and down.</p>
	<p>Guaranteed sound power level.</p>
	<p>Any damaged or discarded electrical or electronic device should be taken to the appropriate collection centers. Do not dispose of power tools or rechargeable batteries with household waste. Power tools and batteries. End-of-life waste must be collected separately and returned to an environmentally friendly recycling facility. Consult your local authority or distributor for recycling advice and collection points.</p>

### 1.3. General safety instructions

Read all safety warnings, instructions, illustrations, and specifications provided with this tool. Failure to follow all instructions listed below may result in serious injury to both persons and damage to the unit.

Keep all warnings and instructions for future reference.

#### 1.3.1. Safety in the workplace

- Keep your work area clean and well-lit. Cluttered or dark areas invite accidents.
- Do not use power tools in explosive atmospheres, such as in the presence of flammable liquids, gases, or dusts. Power tools create sparks that can ignite dust or vapors.
- Keep children and other people and/or pets away while using a power tool (battery operated).
- Distractions can cause you to lose control.
- Avoid hazardous environments: do not use tools in damp or wet places.

#### 1.3.2. Electrical safety

- Avoid physical contact with grounded surfaces, such as pipes, radiators, stoves, or refrigerators. There is a greater risk of electric shock if your body is grounded.
- Do not expose power tools to rain or moisture. There is an increased risk of electric shock if water enters a power tool.

### 1.3.3. Personal safety

- Stay alert, watch what you are doing, and use common sense when using a power tool. Do not use a tool if you are tired or under the influence of substances that impair machine control. A moment of distraction while using power tools can result in serious personal injury.
- Always use personal protective equipment. Personal protective equipment such as eye protection, dust masks, non-slip safety shoes, hard hats, and/or hearing protection, when used properly, will reduce personal injury.
- Prevent accidental starting. Make sure the switch is in the OFF position before connecting the battery, lifting, or carrying the tool. Carrying power tools with your finger on the switch or starting power tools with the switch on can cause accidents.
- Remove any wrenches or adjustment keys before turning on the power tool. A wrench or key inserted in a moving part of the power tool can cause personal injury.
- Do not overexert yourself. Maintain proper posture and balance at all times. This allows for better control of the power tool in unexpected situations.
- Dress appropriately. Do not wear loose clothing or jewelry. Keep your hair and clothing away from moving parts. Loose clothing, jewelry, or long hair can get caught in moving parts.
- Don't let familiarity gained from frequent tool use lead you to become complacent and ignore tool safety principles. A careless action can result in serious injury in a split second.

### 1.4. Safety regarding the use and care of power tools

- Do not force the power tool. Use the appropriate power tool for your application. The right power tool will do the job better and more safely at the rate it was designed for.
- Do not use the power tool if the switch does not turn it on and off. Any power tool that cannot be controlled with the switch is dangerous and must be repaired.
- Remove the battery pack, if detachable, from the power tool and/or activate any battery disable device before removing jammed material, making adjustments, changing accessories, cleaning, or storing power tools. These preventative safety measures reduce the risk of accidentally starting the power tool.
- Store idle power tools out of the reach of children and do not allow persons unfamiliar with the power tool or these instructions to use it. Power tools are dangerous in the hands of untrained users.
- Maintain power tools and accessories. Check for misalignment or binding of moving parts, broken parts, and any other condition that could affect the power tool's operation. If damaged, have the power tool repaired before use. Many accidents are caused by poorly maintained power tools and accessories.
- If applicable, keep cutting tools sharp and clean. Cutting tools that are properly maintained and have sharp cutting edges are less likely to jam and are easier to control.
- Use the power tool, accessories, etc., in accordance with these instructions, taking into account the working conditions and the task to be performed. Using the power tool for operations other than those intended could result in a dangerous situation.
- Keep handles and gripping surfaces dry, clean, and free of oil and grease. Slippery handles and gripping surfaces can lead to unsafe handling and/or loss of control of the tool.
- Keep cables away from the tool's work area. During operation, cables may become hidden from view and the tool may accidentally damage them.

- Avoid bodily contact with grounded or earthed surfaces, such as pipes, radiators, stoves, or refrigerators. There is a greater risk of electric shock if your body is grounded.
- Do not expose power tools to rain or wet conditions. Water entering a power tool will increase the risk of electric shock.
- Do not disassemble the product or attempt to modify or repair it, as there is a risk of personal injury and/or property damage.
- Observe the work area for potential hazards that might go unnoticed when the product is in use.
- Do not use the product when other people, especially children, or pets are nearby.
- Be careful when working on slopes. Always maintain a firm posture and good balance, and walk slowly.
- Work across the slopes, never uphill or downhill.
- Be very careful when changing direction: there is a risk of tripping.
- Do not mow the lawn on very steep slopes.
- Be very careful when backing away or pulling the product towards you.
- Do not tilt the product when starting the engine.
- Stay at a safe distance behind the handle.
- Keep your hands and feet away from moving parts when starting the engine.
- Turn off the product before tilting it and before moving it, for example, to and from the lawn or along paths.
- Never drive over gravel surfaces with the engine running: risk of stones being thrown up.
- Turn off the product and wait until all moving parts have come to a complete stop before lifting or carrying it.
- Turn off the product and wait until all moving parts have come to a complete stop before adjusting the cutting height.
- Never open the ejector cover with the engine running.
- Turn off the product and wait until all moving parts have come to a complete stop before removing the grass catcher. Securely replace the grass catcher after emptying it.
- Avoid cutting wet grass.
- Do not use the product in explosive environments, for example, near flammable liquids, gas, or dust. The product produces sparks that can ignite dust and fumes.
- Never leave the product unattended when it is switched on.
- Use the product with care. Never run with the product.
- Take care that your fingers do not get caught between the blades and the fixed parts of the product, as there is a risk of serious personal injury.
- Do not mow in wet areas, near streams/ditches, or on steep slopes, as there is a risk of losing control. Do not use this product to try to level uneven lawns.

## **1.5. Safety regarding the use and care of battery-powered tools**

- Only recharge with the manufacturer's approved charger.  
A charger designed for one type of battery can create a fire hazard when used with a different type of battery. Use only with the correct battery packs and chargers.
- Make sure the switch is in the OFF position before inserting the battery. Inserting a battery into power tools with the switch on can cause accidents.
- Use power tools only with specifically designed battery packs. Using any other battery pack may result in injury and fire.
- When the battery is not in use, keep it away from other metal objects, such as paper clips, coins, keys, nails, screws, or other small metal objects that could establish a connection from one terminal to another.  
A short circuit between the battery terminals can cause burns or a fire.

- Under abusive conditions, fluid may leak from the battery; avoid contact. If accidental contact occurs, rinse with water. If fluid gets into the eyes, seek medical help. Fluid leaking from the battery may cause irritation or burns.
- Do not use a damaged or modified battery or tool. Damaged or modified batteries can exhibit unpredictable behavior that may result in fire, explosion, or injury.
- Do not expose a battery or tool to fire or excessive temperatures. Exposure to fire or high temperatures can cause an explosion.
- Follow all charging instructions and do not charge the battery or tool outside the temperature range specified in the instructions. Improper charging or charging at temperatures outside the specified range can damage the battery and increase the risk of fire.
- Never charge the battery near acids and/or flammable gases or other substances.
- Do not expose the batteries to heat or flames.
- Do not charge the battery at temperatures below 10°C or above 40°C, as this could damage it.
- Do not expose the battery to high temperatures or intense sunlight for extended periods.
- The battery will get warm during extended periods of use. Allow it to cool before charging.
- Never short-circuit the battery terminals.
- The battery must be packed in a plastic bag or box, or the terminals sealed, before transport or storage and before disposal.

## 1.6. Service and maintenance

- Have your power tool/battery serviced by a qualified technician using only manufacturer-approved replacement parts. This will ensure the tool remains safe.
- Never service damaged battery packs.
- Battery pack servicing should only be performed by the manufacturer or authorized service providers.
- If any parts are missing, do not use the unit until the missing parts have been replaced. Failure to do so could result in serious personal injury.

## 1.7. Other important safety instructions

- Read the instructions carefully. Familiarize yourself with the controls and proper use.
- Inspect the unit before use. Replace any damaged parts. Check that the battery is not leaking.
- Ensure all fasteners and guards are in place and in good condition. Replace any blades or other parts that are cracked, chipped, or damaged. Ensure the cutting blade is properly installed and securely fastened. Failure to do so may result in personal injury to the operator and bystanders, as well as damage to the unit.
- Use the tool properly, using it only for its intended purpose.
- Do not use the product if the switch does not turn the unit on or off. A unit that cannot be controlled with the switch is dangerous and must be repaired.
- Clear the area to be cut before each use. Remove all objects, such as cables, lights, wires, or ropes, that could become entangled in the cutting blade.
- At a minimum, keep all children, bystanders, and/or pets out of a 15m radius. Even then, there may be a risk to bystanders from projectiles. If anyone approaches, stop the unit immediately.
- Do not use power tools in explosive atmospheres, such as in the presence of flammable liquids, gases, or dust.

- To avoid the risk of electric shock, do not use the unit in damp or wet locations. Do not handle the unit with wet hands.
- Do not allow children or untrained persons to use this product.
- To reduce the risk of injury, always wear full eye protection, appropriate footwear, goggles, and clothing when using this machine.
- Dress appropriately. Do not wear loose clothing or jewelry, as these can get caught in moving parts. Protective gloves, sturdy footwear, and long pants are recommended when working outdoors.
- To prevent hair from getting into nearby vents and tangled in moving parts, use a hair guard to keep it tied back or secure it above your shoulders.
- When transporting or storing the machine, always put the blade cover on.
- Always be aware of your surroundings and remain alert to potential hazards that you may not hear due to the noise of the machine.
- Get into the habit of checking that the adjustment keys have been removed from the tool before turning it on.
- Never use an incomplete machine or one that has been modified without authorization.
- The vibration level during actual use of the power tool may differ from the total declared value, depending on how the tool is used.
- It has been reported that vibrations from hand tools can contribute to injuries from vibration and other factors external to the product in some individuals. The operator should take steps to reduce its effects.
- Keep your body warm in cold weather. When using the unit, wear gloves to keep your hands and wrists safe.
- After each use, exercise to increase blood circulation. Take frequent breaks at work. Limit your daily exposure time.
- If you experience any of the symptoms of this condition, discontinue use immediately and consult your doctor about these symptoms.

## 1.8. Safety instructions during operation

- To prevent accidental starting, never carry the unit with your finger on the trigger.
- Stay alert and pay attention to what you are doing. Use common sense when using this product.
- Wear safety trousers, sturdy footwear, and approved gloves. Do not wear shorts, sandals, or go barefoot.
- Do not use it in low light. Use the unit only in natural light or good artificial light.
- Always maintain good posture and balance.
- Do not force the product. It will perform better and with less risk of injury at the speed for which it was designed.
- Release the trigger, let the motor stop, and remove the battery before performing any maintenance, repair, or adjustment.
- Do not use it for any purpose other than its intended one.
- Before starting the unit, make sure that the cutting blades do not come into contact with anything.
- If the machine is struck or becomes entangled with foreign objects, stop it immediately, remove the battery, and check for damage. Do not use it until the damage has been repaired. Do not use the unit with loose or damaged parts.
- Pay attention to what you're doing. Use common sense.
- Handle the product with care. Keep the blade sharp and clean for best performance and to reduce the risk of injury. Follow the instructions for changing accessories. Keep the handlebar dry, clean, and free of oil and grease.
- Check for damaged parts. Before continuing to use the product, carefully check the protective cover or any other damaged parts to determine if they will function correctly and perform their intended purpose.

- Check the alignment of moving parts, for binding, breakage, assembly, and any other condition that may affect operation. Damaged guards or other parts must be properly repaired or replaced by an authorized service center, unless otherwise specified in this manual.
- Risk of cuts. Keep hands away from the blades. Do not attempt to remove cut material while the blades are moving. Ensure the battery is removed when removing jammed material. Do not grasp the blades or exposed cutting edges when lifting or holding the unit.
- The blades continue to move for a short time after the unit is switched off. Keep your hands, face, and feet a safe distance from moving parts. Do not touch or attempt to stop the cutting blades while they are moving.
- Keep the unit clean after each use. Store the unit in a dry, locked, or elevated location to prevent unauthorized use or damage. Keep out of reach of children or untrained persons.
- Never spray or splash the unit with water or other liquids.
- Make sure to secure the unit during transport.

## 1.9. Residual risks

### **▲ Important**

Even if it complies with the relevant product safety regulations, residual risks may exist given the characteristics of the equipment and the work for which it has been designed.

Failure to follow the instructions contained in the instruction manual may result in other residual risks due to improper use.

Residual risks can be minimized by following safety instructions.

- You will reduce the risk of personal injury and damage to equipment if you follow these instructions and are careful.
- Failure to comply with these safety instructions may result in injury to the operator or damage to property.
- Lack of care, improper use, or failure to comply with safety regulations can result in injuries to the hands and fingers when the wedge is in motion.
- There is a risk of electrocution if you use non-approved electrical connections.
- There is a risk of hearing loss when working with the machine without protection for long periods.

*Note: Even if you take preventive measures, there may be residual, non-obvious risks.*

### **▲ Warning**

This power tool generates a magnetic field during operation. Under certain circumstances, this field may interfere with the function of active or passive medical implants. To reduce the risk of serious injury or death, we recommend that individuals with a medical implant consult a physician and the implant manufacturer before using this device.

*Note: In this manual, we refer to power tools when we mean both corded and battery-powered (cordless) tools.*

## 1.10. Other safety rules for using the lawnmower

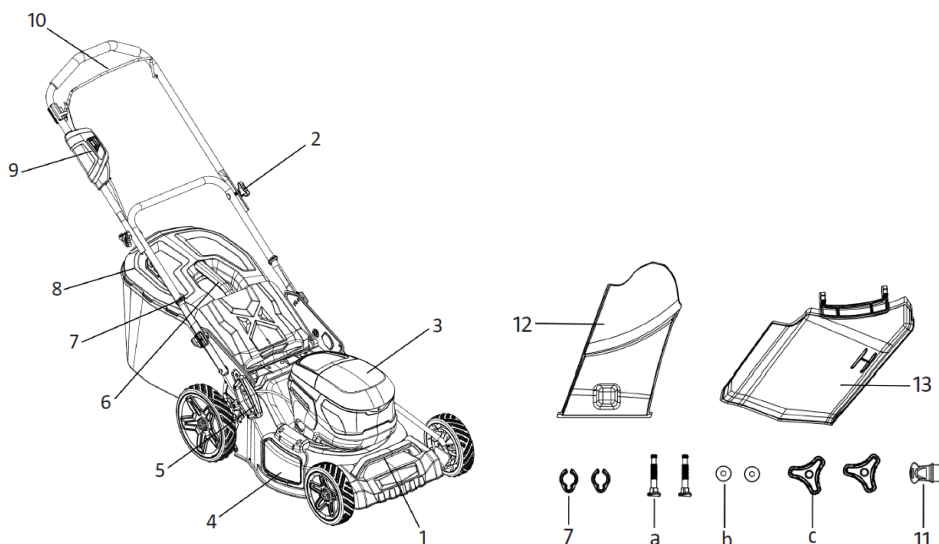
- During cutting, always wear appropriate footwear and long pants. Do not use the equipment while barefoot or wearing open sandals; avoid wearing loose clothing or clothing with drawstrings or ties that dangle.

- Thoroughly inspect the area where the equipment will be used and remove all objects that could be thrown by the machine.
- Before using the machine, always visually inspect the blades, blade pins, and cutting assembly for wear and damage. Replace worn or damaged blades and pins in sets to maintain balance. Replace any damaged or illegible labels.
- Mow the lawn only in daylight or good natural light.
- When possible, avoid using the lawnmower on wet grass.
- Pay attention to slopes. Don't run, walk safely. Be especially careful when changing direction on a slope.
- For wheeled rotary mowers: mow across slopes, never up and down. Do not use the mower on excessively steep slopes.
- Take extra precautions when reversing or pulling the lawnmower towards you.
- Stop the blades if it is necessary to tilt the lawnmower to transport it when crossing surfaces other than grass, or when going from one mowing area to another.
- Do not use the machine with defective guards or without safety devices, such as deflectors and/or grass collectors installed.
- Do not tilt the lawnmower when starting the engine, unless it is necessary to tilt it to start the engine. In this case, do not tilt it more than absolutely necessary and only raise the part furthest from the user.
- Do not start the engine when you are in front of the discharge channel.
- Do not place your feet or hands near moving parts. Also, do not approach the discharge opening.
- Never pick up or transport the lawnmower while the engine is running.
- In the following situations, make sure you have stopped the engine and removed the battery:
  - o As you walk away from the lawnmower.
  - o When unclogging any pipe.
  - o Before checking, cleaning or performing any maintenance work.
  - o After hitting any foreign object, check the lawnmower and make any necessary repairs before continuing to use it.
- If you notice abnormally strong vibrations, always check the lawnmower, replace any damaged parts, and check for any loose or misaligned parts.
- Keep all nuts and bolts tight to ensure the equipment is in safe operating condition.
- Check frequently if the grass catcher is damaged or worn.
- Do not touch the blade before the machine is disconnected from the power supply and the blade has come to a complete stop.
- This appliance is not intended for use by persons with reduced physical, sensory or mental capabilities, or lack of experience and knowledge, unless they have been given supervision or instruction concerning the use of the appliance by a person responsible for their safety.
- Always wait until the machine has cooled down completely before storing it.
- When performing blade maintenance, please note that even with the power supply disconnected, the blades may still move.

If the power cord is damaged, it must be replaced by the manufacturer, its service agent, or authorized distributors in order to avoid a hazard.

## 2. PRODUCT DESCRIPTION

### 2.1. Machine parts



1. Front handle
2. Knob to lower/lock the top handle
3. Battery compartment cover
4. Side outlet cover
5. Lever for adjusting the cutting height
6. Dustpan handle
7. Clamp
8. Dustpan
9. Security checkpoint

10. Kickstart lever
11. Security key
12. Mulching unit
13. Protector
- a. 2 M8 screws
- b. 2 washers
- c. 2 plastic knobs

*Note: Not all items described in the illustration may be included in the product.*

## 3. TECHNICAL SPECIFICATIONS

Technical specifications	
Voltage	40V
No-load speed	2900-3300 rpm
Protection	IPX4
Cutting width	46 cm
Height adjustment	25–80 mm
Picker	55L
Weight	23 kg
Sound pressure level, LpA	LpA=76.3 dB(A),K=3 dB(A)
Measured sound power level, LwA	LwA=87.7 dB(A), K=3 dB(A)
Guaranteed sound power level, LwA	88 dB(A)
Vibration level	0.51m/s <sup>2</sup> ,K=1.5m/s <sup>2</sup>

*Note: Due to technical product updates, this document is subject to change without notice.*

**⚠ Attention**

The actual vibration level when using power tools may differ from the specified maximum value, depending on how the tool is used. Therefore, it is necessary to determine what safety precautions are required to protect the user, based on an estimate of exposure under actual operating conditions (taking into account all phases of the duty cycle, for example, the time the tool is switched off and idling, in addition to start-up time).

## 4. OPERATING INSTRUCTIONS

---

### 4.1. Unpacking and assembly

After unpacking the product, check the contents of the box:

- Place the shipping box on a solid, flat surface.
- Verify that all parts and accessories are in the box before starting assembly.

**⚠ Attention**

Make sure it contains all the materials. Check that it has not been damaged in transit. Do not discard the packaging material; store it properly.

Immediately inform the distributor or supplier of any damage or missing parts, as claims made after this date will not be recognized.

**⚠ Warning**

If any part is damaged or missing, do not use this product until the part is replaced. Using this product with damaged or missing parts could result in serious personal injury.

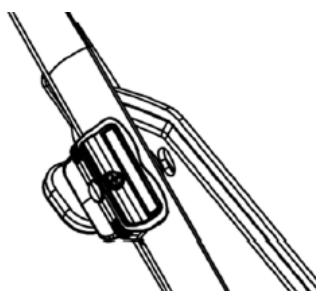
Do not attempt to modify this product or create accessories not approved by the manufacturer for use with this product. Any such alteration or modification constitutes misuse and could result in a dangerous condition that could cause serious personal injury, voiding the warranty.

To prevent accidental starting that could cause serious personal injury, always remove the plug/battery pack from the tool when mounting parts, making adjustments, cleaning, or when not in use.

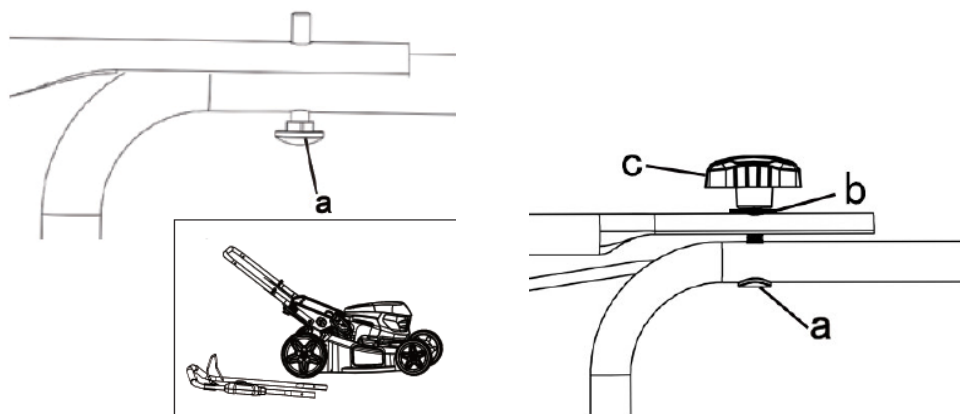
Do not allow children to play with the packaging material. Keep plastic bags, plastic film, and small parts out of the reach of children, as there is a risk of suffocation.

#### 4.1.1. Lawnmower assembly

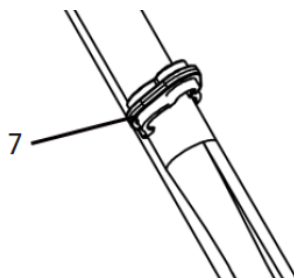
- Attach the lower handle to the cutter using the plastic knob. Make sure the cables are not in the way.



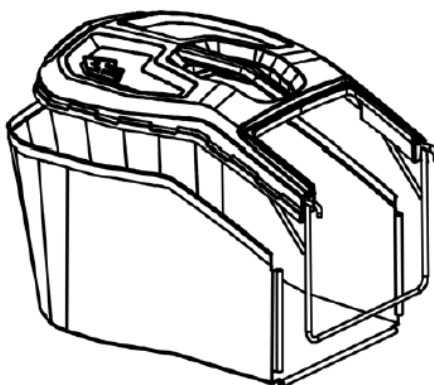
- Attach the upper handle to the lower handle with a knob and plastic nut, and a screw and washer on each side.



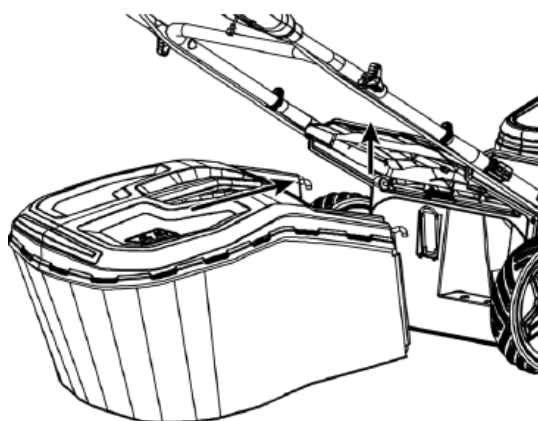
- Secure the cables to the handle with the cable clamp.



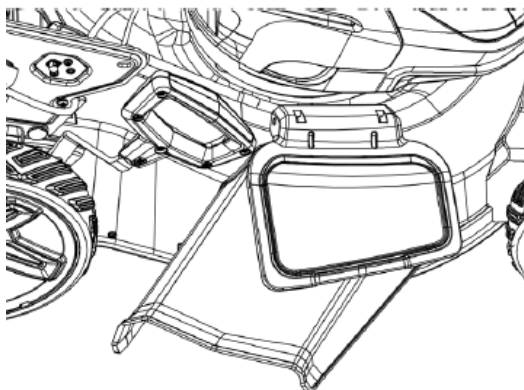
- Place the top pieces in the grass catcher.



- To cut the grass with the grass catcher: Lift the ejector cover with one hand and attach the grass catcher.



- To mow the lawn with the side ejector: Lift the ejector cover and attach the ejector guard. Remove the grass catcher.



## 4.2. Start-up

### **⚠ Warning**

Always wear approved eye protection. Otherwise, objects could be thrown into your eyes, causing other serious injuries.

Do not use any accessories not approved by the manufacturer of this product. Use of non-recommended accessories may result in serious personal injury and will void the product warranty.

Check that the grass collector is correctly installed and functioning properly.

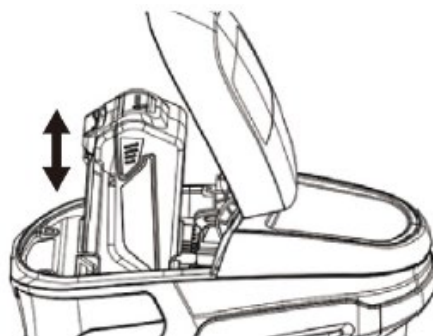
### 4.2.1. Connect and disconnect the battery

*NOTE: Fully charge the battery before first use.*

#### To connect the battery

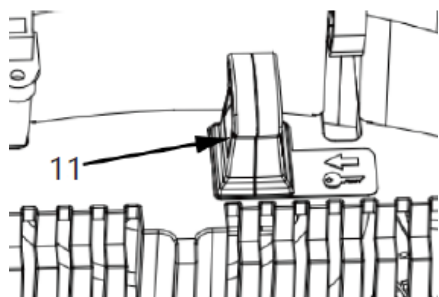
1. Open the battery compartment cover.
2. Place the battery (one or two units) in the compartment.  
The lawnmower can operate on a single battery. The mower detects when one of the batteries is low and automatically switches to the other.

When installing the battery, ensure the battery slots are aligned with the slot in the product and that the latch clicks into place. Improper battery installation may damage internal components.



## 4.3. Using the lawnmower

### 4.3.1. Intended use

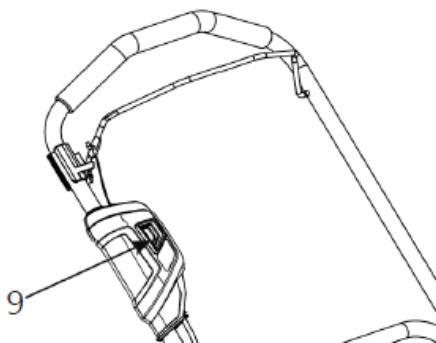


This product is intended exclusively for domestic use and is not suitable for commercial purposes. It is intended for use in private gardens, etc.

*Note: The product can only be started when the safety key is inserted. Remove the safety key from the product after use.*

### 4.3.2. Start and stop the product

1. Maintain the safety checkpoint.
2. Press the starter lever. The engine starts.
3. Release the start lever to turn off the product.

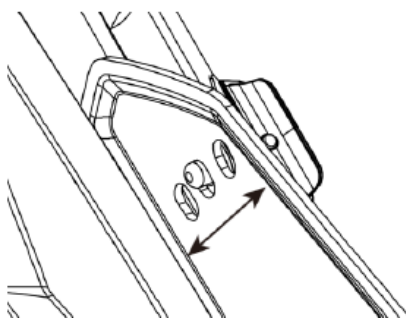


#### **⚠ Warning**

The blade continues to move for a few moments after you release the operating lever. Be very careful.

### 4.3.3. Handlebar height adjustment

There are three positions to adjust the handle height. Use the one that is most comfortable for you.

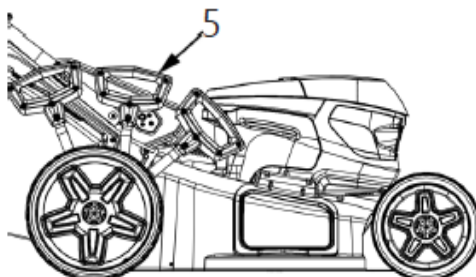


#### 4.3.4. Adjusting the cutting height

1. Move the cutting height adjustment lever to the desired position.
2. Check that the lever fits into one of the slots.

#### **⚠ Warning**

Turn off the product and remove the safety key before adjusting the cutting height.



*Note: Always disconnect the battery during work breaks or after completing the job.*

#### 4.4. Tips on using the product

- Lawns are made up of different types of grass. Mowing the lawn usually benefits the grasses with strong roots and helps create a thick, firm lawn.
- The normal height of the grass is about 4-5 cm. Do not cut more than 1/3 of the height at one time, that is, 7-8 cm from the normal height.
- Do not cut the grass shorter than 4 cm, as this can cause it to dry out.
- Cut the tall grass in stages.
- Slightly overlap each row when cutting.
- If possible, avoid mowing wet grass. Mow the grass when it is dry.
- Take great care when changing direction on slopes. Always maintain a firm posture and good balance. Work across the slope, never up and down.
- Do not cut slopes with an incline greater than 15°, as there is a risk of personal injury.
- Be very careful when backing up or pulling the product towards you, as there is a risk of tripping.

#### **⚠ Warning**

Clear the area to be cut before each use. Remove all objects, cables, lights, wires, or ropes that could become entangled in the cutting blade and create a risk of serious personal injury.

Avoid using solvents to clean plastic parts. Most plastics are susceptible to damage from various types of commercial solvents and can be damaged by use. Use a clean cloth to remove dirt, oil, grease, etc.

#### **⚠ Warning**

If any part is missing, damaged, or broken, do not use the machine until it has been replaced. Otherwise, serious personal injury may result.

##### 4.4.1. Mow the lawn with the grass catcher

The collector has a level indicator. It remains open thanks to the airflow produced by the product when it is in operation.

When the lid closes during mowing, it means the catcher is full and needs to be emptied. Check that the opening under the lid is clean and allows air to pass through; otherwise, the level indicator will not function correctly.

Empty the dustpan if there are any grass clippings left on the ground.

### **⚠ Warning**

Turn off the product, wait until all moving parts have completely stopped, and remove the safety key and battery before removing the grass catcher.

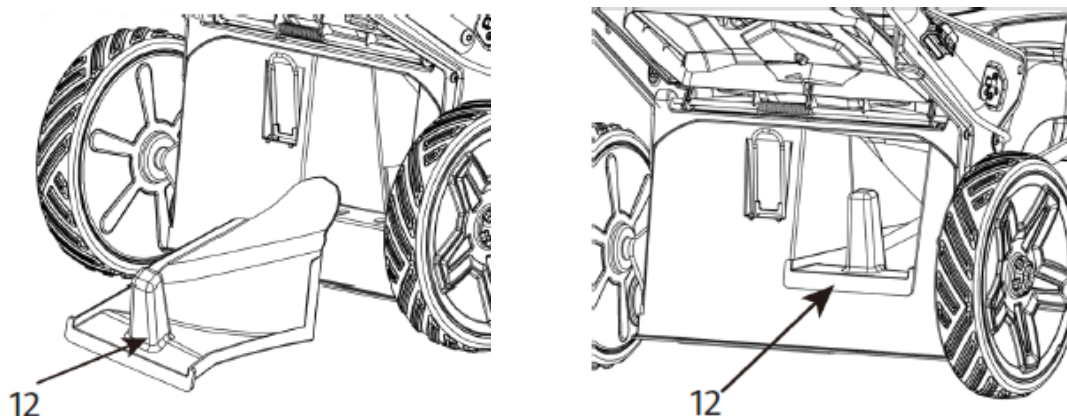
#### Empty the grass catcher

1. To remove the grass catcher, lift the lid with one hand, grab the handle of the catcher with the other and lift it up.
2. When the collector is removed, the lid falls and covers the ejector opening.
3. If there is grass left in the opening, pull the lawnmower back about 1 meter to make starting the engine easier.
4. Never clean the cutting deck or blade with your hands or feet; use a brush or other suitable tool. Clean the grass catcher after use to ensure optimal performance, especially the ventilation grille.
5. Lift the ejector flap with one hand and attach the grass catcher from above with the other. Only attach the grass catcher when the product is switched off and no moving parts are in operation.

#### **4.4.2. Mowing the lawn with the mulching unit**

- When the mulching unit is used, the grass clippings are shredded and spread across the lawn. There is no need to collect and dispose of the clippings.
- To use the mulching unit, remove the grass catcher, insert the mulching unit adapter into the corresponding opening and close the ejector.

*Note: The mulching unit should only be used when the grass is relatively short.*



## 5. MAINTENANCE

---

### **▲ Warning**

When performing maintenance, use only manufacturer-approved replacement parts. Using any other part may create a hazard or damage the product. For safety and reliability, all repairs must be performed by an authorized dealer/distributor.

To avoid serious personal injury, always remove the battery from the product when cleaning or performing any maintenance.

All maintenance, except for the items listed in these maintenance instructions, must be performed by your authorized dealer. If you have any doubts, do not perform any maintenance without first consulting your dealer.

### 5.1. Cleaning

Clean the product after use.

1. Remove the battery.
2. Remove the grass catcher.
3. Clean the product with a brush after use.
4. Carefully remove any remaining grass from under the mowing deck using a wooden stick or something similar.
5. Keep ventilation openings free of dust and dirt. Never pour or rinse the product with water.
6. Clean the motor housing with a damp cloth. Do not use detergents or solvents. These may damage the product's plastic parts. Clean the entire motor housing.
7. Check the condition of the blade.

#### Grass catcher

The grass catcher can be rinsed with water once removed from the lawnmower.

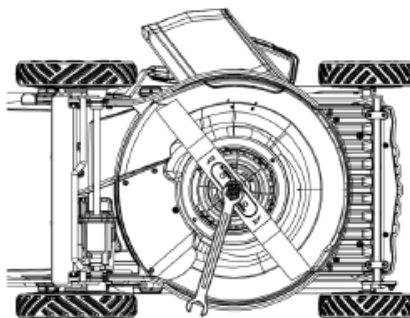
### 5.2. Blade removal and sharpening

*Note: Remove the battery from the machine before performing maintenance or cleaning.*

When the blade becomes dull, it should be removed and properly sharpened by a qualified technician. It should also be replaced when necessary. A dull blade will cause problems.

Always use appropriate PPE when performing any maintenance, cleaning, or inspection task.

1. Loosen the nut that holds the blade in place.
2. Release the blade and carefully clean the contact surfaces. If the blade is badly worn, it should be replaced with a new one.
3. Sharpen the blade as needed.
4. Place the blade on the lawnmower and tighten the nut firmly.
5. Use only manufacturer-approved replacement parts.



### 5.3. Storage and transportation

- Remove the security key before storing it.
- Store the lawnmower in a dry, frost-free place (10-25 °C).
- Store the battery and lawnmower separately.
- All batteries gradually lose charge. If you store your unit for extended periods without use, recharge the batteries every one to two months. This will prolong the life of the battery pack.
- Do not allow brake fluid, gasoline, oil-based products, penetrating oils, etc. to come into contact with plastic parts.
- Store the lawnmower away from corrosive substances, such as salt and fertilizers.
- Remove the battery from the lawnmower before transporting it.
- Unscrew the two quick couplings and fold down the top handle.
- Use the carrying handle to transport the product.
- Clean the tool thoroughly before storing it.
- Store the tool indoors, in a place inaccessible to children and unauthorized persons.

## 6. TROUBLESHOOTING

### **⚠ Danger**

Insufficient maintenance and care can lead to accidents and unforeseen injuries. Repairs and work necessary for the proper use of the machine must be carried out by qualified and authorized personnel. For more extensive maintenance or repairs, take the machine to your authorized dealer. Power tool repairs must be performed by a specialized service.

*Note:* If you have any questions or problems persist, contact your dealer or service center.

Problem	Possible cause	Action
<b>The product does not work</b>	The battery is discharged.	Check the battery. Repairs must be carried out by an authorized dealer.
	The insurance is defective.	Take the product to your official distributor for inspection and repair.
	The engine is faulty.	Take the product to your official distributor for inspection and repair.
	The security key is not inserted.	Insert the security key.
<b>The motor stops when in use</b>	The battery is discharged.	Charge the battery.
	The battery is not inserted correctly.	Insert the battery correctly.
	The battery is defective.	Replace it with a new battery of the same type.
	The battery is discharged.	Charge the battery.

<b>Reduced performance</b>	The battery is not fully charged.	Charge the battery.
	The grass is too high.	Cutting in stages.
<b>Intense vibration</b>	The blade is not positioned correctly.	Check the blade.
	The blade is blocked by a foreign object.	Unlock the blade.
	The blade is damaged.	Replace the blade.
<b>Improper grass harvesting.</b>	The grass catcher is full.	Empty the grass catcher.
	The ejector opening is blocked.	Clean the ejector opening.
	The cutting height is set too low.	Adjust to the appropriate cutting height.
<b>The grass is mowed unevenly.</b>	The blade is dull.	Sharpen or replace the blade.
	The grass is too high.	Cutting in stages.

## 7. WARRANTY

---

If your product suffers any manufacturing defect during the established warranty period, please contact or go directly to your point of sale with the necessary documentation.

Your purchase receipt should be kept as proof of the purchase date. Your tool must be returned to your distributor in acceptable and clean condition, in its original molded case, if applicable, along with your corresponding proof of purchase.

### 7.1. Warranty period

The legal warranty period for the product begins on the original date of purchase by the first initial buyer and its duration will be that established by the Royal Decree-Law on the protection of consumers and users against situations of social and economic vulnerability of the year corresponding to the time of acquisition of the product.

Some countries do not have limitations on how long an implied warranty lasts or do not allow the exclusion or limitation of consequential or incidental damages, in which case the above limitation and exclusion may not apply to you. This warranty gives you specific legal rights, and you may also have other rights that vary from state to state or country to country.

### 7.2. Exclusions

This warranty does not cover product damage or performance problems caused by:

- Natural wear and tear from use.
- Misuse, negligence, careless operation, or lack of maintenance.
- Defects caused by improper use, damage caused by handling by personnel not authorized by Anova or use of non-original spare parts.
- Defects in normal wear parts, such as bearings, brushes, cables, plugs or accessories such as drills, drill bits, saw blades, etc.
- Damage or defects resulting from abuse, accidents, or alterations.
- Incorrect use and storage (explicit reference to the fact that the rules described in the operating instructions have not been followed).

- Wear and tear caused by the customer (e.g., broken saw blades, consumed carbon brushes, etc.).
- Wear and secondary damage due to lack of maintenance, repair, lubricants (e.g., overheating damage due to blocked cooling slots, bearing damage as a result of dirt, frost damage, etc.)
- Damage as an obvious result of overuse/overload.
- Damage caused by inappropriate supplies (e.g., incorrect fuel)
- Load-induced breakage of housing components or accessories due to abnormal stress
- Load-induced deformation of the housing components or accessories due to abnormal stress.
- Damage resulting from the operation of supplies that are overfilled or leak due to improper storage, improper cleaning agents, or other damaging chemical components.
- Damage due to improper exposure to extreme temperatures (e.g., frost cracking, thermal deformation of components, etc.)
- Damage from permanent exposure to ultraviolet radiation.
- Damage caused by inadequate maintenance.
- Any damage caused by failure to follow the instructions in the instruction manual
- Any product that has been repaired by an unqualified professional.
- Any product connected to an unsuitable power source (amps, voltage, frequency).
- Any damage caused by external influences (water, chemicals, physical, impacts) or foreign substances.
- Use of unsuitable accessories or parts.
- It does not cover defects in normal wear and tear parts, nor does it cover damage or defects resulting from abuse, accidents or alterations, nor transportation costs.

Furthermore, the warranty is voided if the product has been altered or modified, or if the trademark/serial number of the machine has been defaced or removed.

Routine maintenance, tuning, adjustments, or normal wear and tear are not covered under this warranty.

This manual does not cover all possible situations regarding warranty exclusions; for more information, please contact your nearest Anova distributor.

### **7.3. In case of incident**

The warranty must be correctly completed with all the requested information, and accompanied by the purchase invoice.

Anova reserves the right to refuse any claim where the purchase cannot be verified or where it is clear that the product was not properly maintained (maintenance, clean ventilation slots, lubrication, regularly maintained carbon brushes, cleaning, storage, etc.).

Private use is defined as personal domestic use by an end consumer. Commercial use, on the other hand, means all other uses, including uses for business purposes, income generation, or rental. Once the product has been used for commercial purposes, it will be considered a commercial product thereafter for the purposes of this warranty.

These are our standard warranty terms, but occasionally there may be additional warranty coverage not specified at the time of publication. For more information, please contact your nearest authorized Anova dealer or visit [www.millasur.com](http://www.millasur.com).

Warranty service is only available through authorized Anova distributors. You can find your nearest distributor on our distributor map at [www.anova.es](http://www.anova.es).

## 8. ENVIRONMENT

---



It is essential to ensure that products and their components are disposed of responsibly to protect the environment. Below, you will find general guidelines for the proper disposal of various materials used in your machine.

Dispose of your machine in an environmentally friendly way. We shouldn't throw machines away with the regular household waste. Their plastic and metal components can be sorted according to their type and recycled.

When disposing of machinery or metal products, it's important to remember that their metal components, such as iron, steel, or aluminum, must be properly recycled at metal recycling facilities. This will contribute to their potential reuse in the manufacture of new products.

### Oils and Fuels

Used oils and fuels, among other things, must be recycled properly. Do not pour these liquids down drains, into soil, rivers, lakes, or seas, as they can cause serious environmental damage. Take them to a recycling center or specialized collection point. This process helps prevent water and soil contamination and allows for the safe reuse of oils, if possible.

### Plastics

Plastics should be separated and taken to designated recycling points. Do not throw them away with regular household waste. Plastics can be recycled, helping to reduce waste.

### Cardboard

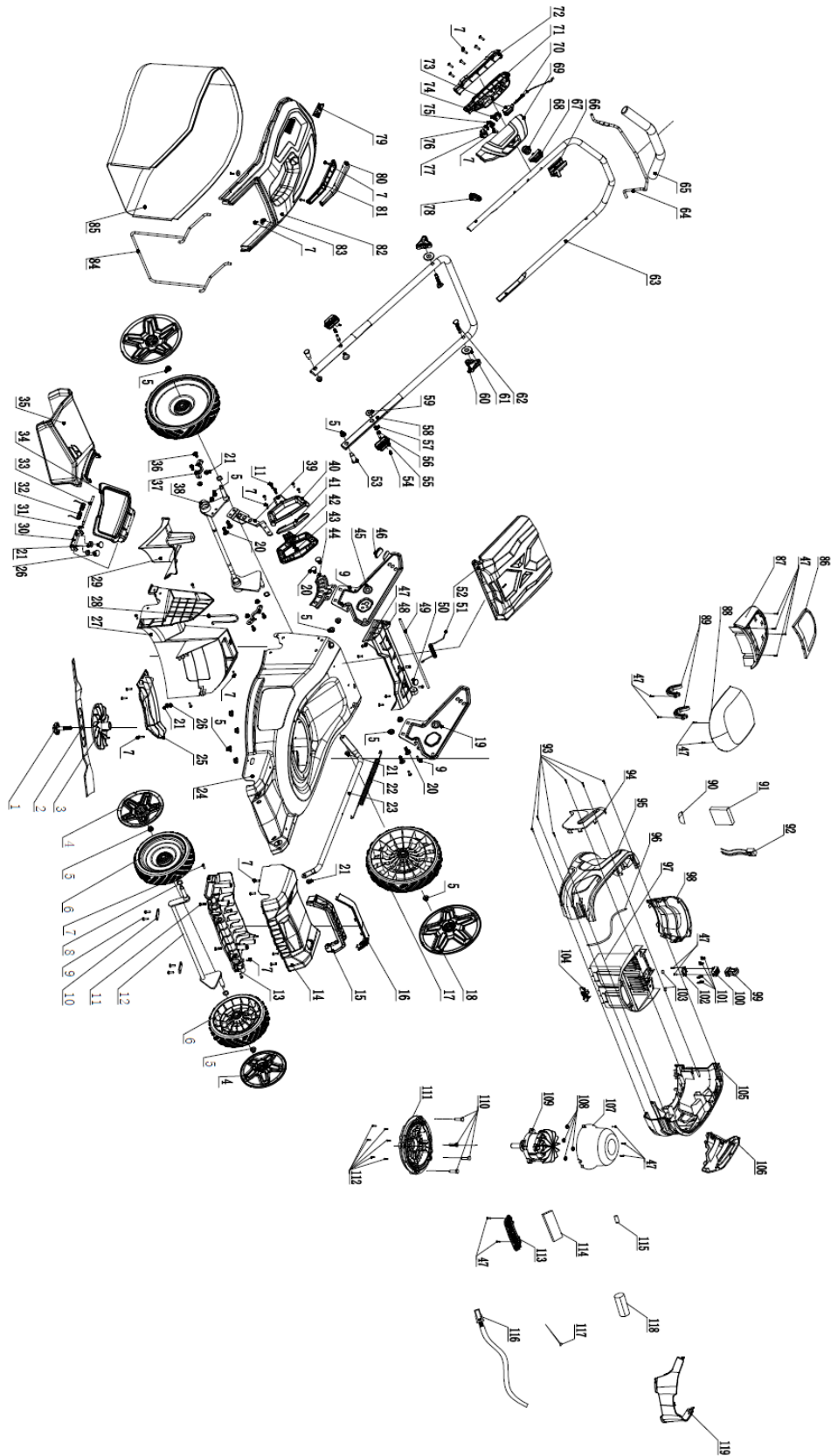
Packaging materials, such as cardboard, are recyclable. Be sure to separate clean, dry cardboard and place it in designated recycling containers or at an official waste collection point. Do not dispose of it with household waste.

### Batteries

Batteries and other electronic components from machines must be disposed of at designated collection points to prevent the release of toxic substances into the environment. Do not throw them away with regular trash. Take them to appropriate recycling centers for safe and responsible handling.

By following these guidelines, you contribute to environmental protection and resource conservation. For more information on material disposal and recycling, please contact your local authorities and consult the necessary information.

# 9. EXPLODED VIEW



## 10. CE CERTIFICATE

### DISTRIBUTION COMPANY

MILLASUR, SL

RUA EDUARDO PONDAL, Nº 23 PISIGÜEIRO

15688 OROSO - A CORUÑA

SPAIN



## CE DECLARATION OF CONFORMITY

In compliance with the various EC directives, this document confirms that, due to its design and construction, and as indicated by the CE marking affixed by the manufacturer, the machine identified herein meets the relevant and fundamental health and safety requirements of the aforementioned EC directives. This declaration authorizes the product to display the CE marking.

In the event that the machine is modified and this modification is not approved by the manufacturer and communicated to the distributor, this declaration will lose its value and validity.

Machine name: BATTERY POWERED LAWN MOWER

Model: **E40CC46**

[LMC4046SHP]

Recognized and approved standard to which it conforms:

**Directive 2006/42/EC**  
**2014/30/EU**

Tested according to regulations:

**EN IEC 55014-1:2021**  
**EN IEC 55014-2:2021**  
**EN 62841-1:2015+AC:2015+A11:2022**  
**EN IEC 62841-4-3:2021+A11:2021**

Company seal

**MILLASUR, S.L.U.**  
Rúa Eduardo Pondal, 23 - Pol. Emp. Sigüeiro  
15688-Oroso-A Coruña  
Tel. (+34) 981 69 64 65 - Fax (+34) 981 69 08 61  
e-mail: millasur@millasur.com  
CIF: B-15 749 922

30/09/2025