

Circular saw for firewood

CL500

ANOVA

Instructions and user manual



EN

Millasur SLU
Rúa Eduardo Pondal, nº 23 - Pol. Ind. Sigüeiro
15688 - Oroso - A Coruña - 981 696 465 - www.millasur.com





Anova wishes to congratulate you for having chosen one of our products and guarantees you the assistance and cooperation that has always distinguished our brand over time.

This machine is designed to last many years and to be very useful if it is used according to the instructions contained in the user manual. We therefore recommend that you read this instruction manual carefully and follow all our recommendations.

For more information or questions, you can contact us through our web supports such as www.anova.es

INFORMATION ABOUT THIS MANUAL

Pay attention to the information provided in this manual and on the appliance for your safety and the safety of others.

- This manual contains instructions for use and maintenance.
- Take this manual with you when you go to work on the machine.
- The contents are correct at the time of printing.
- They reserve the rights to make alterations at any time without affecting our legal responsibilities.
- This manual is considered an integral part of the product and must remain with it in case of loan or resale.
- Ask your dealer for a new manual in case of loss or damage.

READ THIS MANUAL CAREFULLY BEFORE USING THE MACHINE



To ensure that your machine provides the best results, please read the use and safety regulations carefully before using it.

OTHER WARNINGS:

Incorrect use could cause damage to the machine or other objects.

The adaptation of the machine to new technical requirements could cause differences between the content of this manual and the purchased product.

Read and follow all instructions in this manual. Failure to follow these instructions could result in serious personal injury.

INDEX

1. USER WARNINGS

- 1.1. Safety symbols
- 1.2. General safety warnings
- 1.3. Residual risks and preventive actions
- 1.4. Safety instructions for the operator
- 1.5. Additional security warnings

2. TECHNICAL SPECIFICATIONS

3. PRODUCT DESCRIPTION

4. OPERATING AND ASSEMBLY INSTRUCTIONS

- 4.1. Before assembly
- 4.2. Circular saw replacement
- 4.3. Initial operational safety instructions
- 4.4. Machine handling

5. PROBLEM SOLVING

6. MAINTENANCE AND STORAGE

- 6.1. Inspections and maintenance
- 6.2. Inspection and maintenance program
- 6.3. Transport and storage

7. WARRANTY

8. ENVIRONMENT

9. EXPLODED

10. ANNEX I. IMAGES

11. CE CERTIFICATE

1. USER WARNINGS

⚠ **Caveat**

Carefully read the recommendations included in this instruction manual that accompanies your equipment and familiarize yourself with its contents before using the machine.

Do not use or service this machine if you do not have this manual clearly, minimize the risk of injury.

Keep this manual in a specific place where you can re-read it if you have any questions. Any reprint, even partial, is subject to approval.

Remember that warning signs, danger, notice or important notes will appear throughout the manual. These clarifications contain information that must be taken into account to prevent and/or avoid serious injuries to the unit and the user.

Note: Due to our continuous R+D+I program, this document is subject to change without prior notice.

1.1. safety symbols

A series of symbols are used that you should understand before using the product. They are symbols related to your safety and the correct use of the parts of the machine. Please pay attention to and understand all symbols shown in this manual.



Product compliance with the respective EU standards.



Please read the operation manual carefully before use.



Turn off the engine and pull out the mains plug before repairing, maintaining or cleaning.



Do not touch rotating parts.



Wear protective gloves.



Wear protective glasses.



Wear safety shoes.



Wear safety earphones.



Wear protective clothing.



Use protection against dust.



Direction of rotation of the saw blade.



Be careful with hot surfaces: danger of burns.
Do not touch hot parts of the engine.



Do not dispose of electrical devices in the household waste.
In accordance with European regulations, used electrical appliances must be collected separately and recycled in an environmentally friendly manner.

1.2. General safety warnings

Before starting to work with the machine, carefully read the safety and operating instructions. If another person is going to handle the product, provide them with the operating instructions. It should only be used by those persons familiar with the instructions. Keep the operating instructions for future reference.

Packaging: The product has been packed to prevent damage during transport. The packaging can be reused or recycled.

Carefully read and follow the instructions below. Use them to learn about your product, proper use, and safety recommendations. Keep the instructions in a safe place for future reference.

▲ **Caveat**

- protection systems

It is forbidden to remove, dismantle or alter the security systems, as well as the installation of non-original parts. Before carrying out any maintenance or replacement task that involves disassembling parts, unplug the machine.

- To ensure the disconnection of the machine, it is not enough to turn off the motor, it will have to be unplugged from the electrical current.

Once maintenance tasks have been completed, refit the safety systems before reconnecting the machine to the mains.

- operators

Using the circular saw carries a risk. For this reason, its use is only allowed by people familiar with it. Its use is not allowed by persons under 16 years of age. Wear tight fitting clothing, safety glasses and hearing protection when using the machine.

- Machine positioning

The work area should be flat and firm with enough space around it, as it is inevitable that the machine will move with use. For the same reason, you must keep the work area and the paths for collecting and carrying firewood clean and free of obstacles. Any point that could cause slipping must be treated (for example, with sawdust). You should clean the area of sawdust and chips regularly.

- The product may cause occasional voltage fluctuations under non-optimal conditions.
- The user is responsible for ensuring that the plug point complies with the aforementioned conditions.
- Persons unable to use the machine due to physical, sensory or mental impairment, inexperience or lack of knowledge, must not use this machine.

- Do not use the machine if the product, power cable or steel cable show signs of damage.
- If the power cord is damaged, it must be replaced by the manufacturer or an electrician.
- Repairs should only be carried out by an electrician. Repairs carried out by an unauthorized person pose a serious risk.
- The arrangement of accessories carries the same conditions.

The manufacturer and/or distributor will not be responsible for the following damages:

- Damage caused by overload.
- Damages caused by changes in the product.
- Damage caused by improper use (uses not described in the instruction manual)

1.3. Residual risks and preventive actions

1. Residual electrical risks:

- Direct electrical contact:
A faulty cord or plug can cause an electric shock. Electrically conductive parts or faulty structural parts can cause injury.
See a professional to replace the cable or plug. Use the machine only if it is connected to the electrical network through a differential switch.
- Indirect electrical contact:
Unplug the machine before performing any maintenance task
Use the product only with a differential switch installed.

2. Residual mechanical risks:

- Cuts and incisions:
Contact with the circular saw can cause severe injury.
Risk of injury from rotating parts
Always exercise caution when working with small material. Use devices to help cut it (guides or other tools). Do not touch the saw if it is still moving. Any damaged or worn accessory must be replaced immediately.
- Entrapments:
Loose clothing or jewelry can easily get caught in moving parts. Always wear tight clothing and never wear jewelry.

3. Acoustic risks:

- hearing problems:
Prolonged work with the machine could cause hearing impairment.
Always wear hearing protectors.

4. Materials or other risks:

- Aspiration:
The large amount of wood dust generated by the saw can have negative effects on the lungs. There are health risks if dust emissions are not properly vacuumed.
Always wear a mask when working with the product. Install and use vacuum equipment to collect dust.

5. Human errors:

- Improper use of personal protective equipment (PPE)
Using the machine without wearing proper PPE can cause external and/or internal injuries. Always wear approved protective clothing and work carefully.
- inadequate lighting:
Lack of light poses a safety risk. Always make sure there is enough lighting.

6. Other risks:

- Waste products:
Wood particles can cause eye injuries. Always wear protective glasses.

1.3.1. What to do in case of injury or power outage

1. Press the red button of the switch (emergency switch).
2. Wait until the saw completely stops moving.
3. Unplug the machine from the electrical outlet.
4. In the event of an injury, perform all necessary first aid steps and, if necessary, locate or call a physician.

1.3.2. What to do if the saw is blocked by a wedged piece of wood

1. Press the red button on the switch.
2. Unplug the machine from the electrical outlet.
3. Remove the embedded piece of wood.
4. Wear protective gloves.
5. Do not remove the wedged piece of wood by hand. Instead, use a wooden post.

1.4. Safety instructions for the operator

- Make sure all safety and protection devices are in place before turning on the equipment.
- Never cut pieces of wood so small that they cannot be gripped securely.
- Before you start cutting, make sure the saw is facing the right way. The tines must point in the same direction as the arrow next to the operator. See also the section “operating and mounting instructions”.
- Use only saws that are sharp and with the correct tooth pitch.
- To save energy and protect the motor, damaged or warped blades should be replaced and thrown away to also prevent accidental use. The disc brake will come on approximately 15 seconds after the motor is turned off (it will continue to rotate for several seconds after it has been turned off, which is completely normal). The disc should spin freely.
- If you cut wood that has been previously treated, you should pay special attention to the presence of spikes, screws, etc. Before starting work you must remove foreign objects.
- Before turning on the equipment, make sure that the saw is seated correctly and that all moving parts are not binding.
- Warning! If you have any questions about the assembly of this circular saw, consult an expert at an authorized service center.

1.4.1. Job preparation

Do not overload the equipment. Plan your work according to the cutting capacity of the machine. Make sure the machine will not tip over due to a jam.

- Do not use the equipment before reading the instructions carefully.
- Follow all safety instructions in the manual.
- Consider other people.

⚠ Warning

This machine should be used by one person only.

1.5. Additional security warnings

- Hazards may be associated with the use of the log saw. Therefore, only trained and experienced persons may handle and work with the product.
- The operator must wear tight clothing and protective footwear.
- Persons not specialized in the product must not work with the wood cutting saw.
- Follow all safety instructions unconditionally to prevent accidents and damage.
- The machine must be on a horizontal and level surface during operation and the ground around the machine must be level, well maintained and free of debris such as shavings and cut workpieces.
- Arrange workpieces to be processed and finished workpieces near the operator's normal workplace.
- Wear gloves when handling the saw (whenever possible, they should be carried in a tool carrier).
- Immediately report any machine failure, including gap safety devices or saws, once detected.
- Familiarize yourself with the safe procedure for cleaning, maintenance and periodic removal of chips and dust to avoid the risk of fire.
- Follow the manufacturer's instructions for use, adjustment, and repair of the saw.
- Observe the maximum speed specified on the saw.
- Use the correct sharp saws.
- Make sure that the cable ties used are suitable for their intended purpose as specified by the manufacturer.
- Refrain from removing sections or other parts of the workpiece from the cutting area while the machine is running, unless a push lever is used.
- Make sure standoff guards and other safety devices necessary for machine operation have been installed, are in good working order, and have been properly maintained.
- Operators must have received sufficient training in use, configuration or operation.
- Only use saws that are certified and approved by the manufacturer.
- Make sure that the machine, including its components, cannot tip, tip over or move uncontrollably during transport, assembly, disassembly or deactivation during the foreseeable useful life of the machine.
- The operator must be informed regarding the conditions that influence the generation of noise (for example, saws that have been designed to reduce noise, care of saws and machinery).
- Dust exposure is influenced by the type of material to be cut.

1.5.1. Emergencies

In case of an emergency, practice first aid and seek qualified medical assistance immediately. Reassure the injured and protect him from further accidents. Every workplace should be equipped with a first aid kit. You must replace any material immediately after use. When seeking medical help, give the following information:

1. Crash site
2. type of accident
3. The number of injured
4. The type of injuries

1.5.2. Waste management

The pictograms on the equipment or packaging contain instructions for waste management. For the meaning of the symbols, see the section “Safety symbols”.

1.5.3. Qualifications, training and minimum age

The operator does not require special qualifications to be able to use the unit except for the indications of a professional.

Only people over 18 years of age may use the equipment. The only exemption are those people who have to learn its use as part of a professional training program, and always under the supervision of a qualified adult.

In order to use the equipment, it is necessary to learn from a professional or with the instruction manual. No specific training is necessary.

2. TECHNICAL SPECIFICATIONS

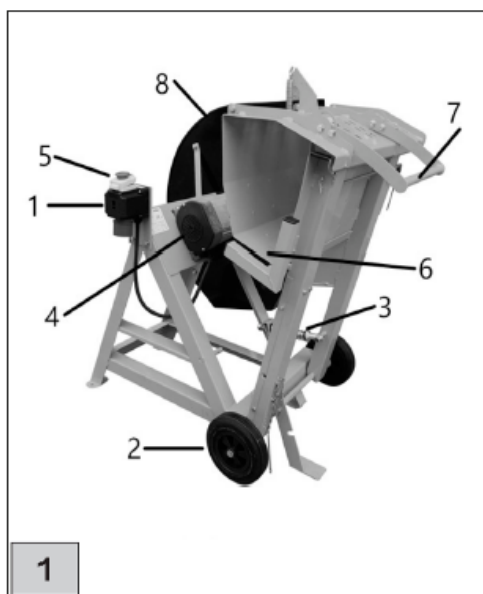
CL500	
Electric connection	230V~50Hz
Engine power	2.6KW P1(S6/ 40%)
Velocity	2800 units/min
Ø of the saw	500x30mm
Cutting range (min – max)	0-180mm
Cutting disc thickness	3.8mm
Trunk support width	200mm
trunk support extension	0-500mm
Acoustic output level (idle)	LpA→88.9dB(A) - K: 4dB(A)
	LwA→108dB(A) - K: 4dB(A)
Approximate weight	77kg

Values given are emission values and do not necessarily also represent safe limits for the workplace.

Although there is a correlation between emission and immission levels, it cannot be reliably deduced whether or not additional security measures are necessary.

Factors that influence the level of immission currently existing in the workplace include the characteristics of the work space, other sources of noise, such as the number of machines and other operations that are carried out nearby. The values allowed in the workplace can also vary from country to country. However, this information should allow the user to make a better assessment of the hazards and risks.

3. PRODUCT DESCRIPTION



1. Electrical connection
2. Transport wheels
3. Cradle spring/trunk support
4. Engine
5. ON/OFF switch (emergency switch)
6. Trunk/cradle support extension
7. Handle / handle
8. Protective cover of the saw

The circular saw is only designed to cut firewood of the dimensions described. The manufacturer is not responsible for damages or injuries caused by improper use of the machine or failure to comply with the safety instructions.

Using the machine for purposes other than the one for which it was designed may cause damage to the machine or injury to the user.

The steel structure has been treated with a protective powder coat. The bottom of the saw cradle adjusts automatically by exerting pressure on the spring placed behind it.

Other features:

- Combined socket and switch.
- Saw brake in accordance with European standards.
- 500mm carbide saw.
- Cradle (trunk support) extendable and adjustable.
- rubber wheels.
- Suitable replacement circular saw: 500x30mm.

4. OPERATING AND ASSEMBLY INSTRUCTIONS

4.1. Before assembly

Fig. 2, 3: Install the switch and connector in the bracket with 2 screws and nuts

Fig. 4, 5, 6: Mount the saw.

4.2. circular saw replacement

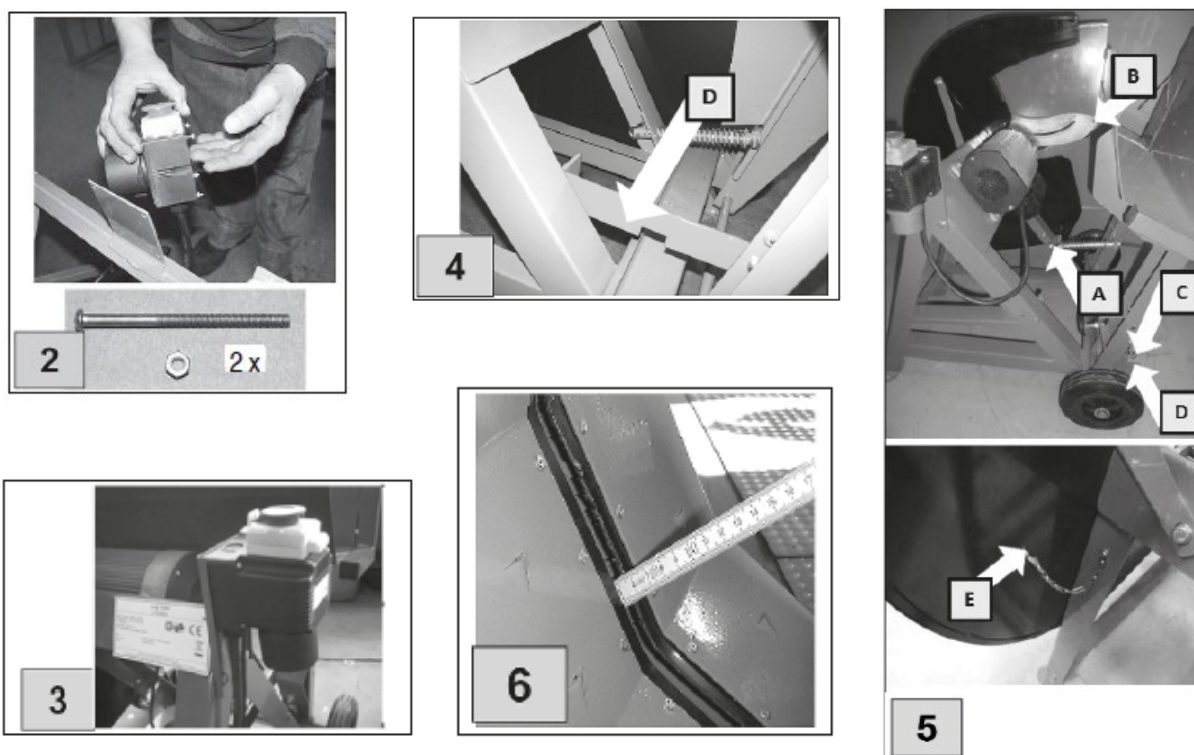
*(Fig. 4, 5, 6)

1. Disconnect the power cord.
2. Unscrew the nut (A) from the reverse spring pin and remove the washers.
3. Loosen the screw (B) of the cover guide.
4. Release the chain (C) from the leg by removing the cotter pin and rotate the rest (D) all the way back. Tilt the cradle (trunk support) towards you and place it on top of the rest.
5. Slide the lock pin (E) into the opening in the cover to lock the saw from movement.
6. Loosen the flange screw on the saw and pull up.
7. Install a new saw. Make sure the saw sits correctly on the rear flange and note the direction of rotation shown - the teeth should be in the direction of the arrow.
8. Proceed in reverse order for assembly. The recommended tightening torque of the screw is 25.2 Nm.
9. Hold the saw when you are replacing it. Secure the blade (saw) for any transport. The saw is heavy and can be slippery. If it falls from your hands, it could cause serious injury.
10. When replacing the saw, position the cradle so that its distance from the saw teeth is 50mm (Fig. 6).

⚠ Caution

Don't forget to remove the set screw after replacing the saw.

Always wear safety gloves when replacing the saw to prevent accidents.



4.3. Initial operational safety instructions

- Before putting the machine into operation, check that it is connected to the mains, that it is not damaged and that the joint screws are tight.
- Check that the power cord does not show signs of damage, such as cracks or stains.

- Make sure there are no foreign objects in the machine that could be thrown when starting it.
- Always position yourself out of the path of objects that could be thrown (wood chips or pieces and/or bark).
- It is forbidden to use the machine if you are under the influence of substances that affect your ability to use and react.
- Do not use the machine to carry out tasks other than those for which it has been designed, indicated in the “Work instructions” section.
- Always follow our instructions for safety and accident prevention, use of the machine, operation, work, care and maintenance. Deviations from the instructions may only be made with the written permission of the manufacturer.
- Never leave the machine without first unplugging it. Make sure that it cannot be reached by unauthorized persons.
- The connection to the electrical network must have a differential switch.
- Use the shortest possible power cable, or the largest possible cable section. Long and thin cables cause the motor to overheat and the damage caused could be irreparable.

⚠ Caution: With cables of 20m or more, its section must be between 1.5mm² and 2.5mm². Never start the engine when the machine brake is on. Wait at least 1 minute between cutting one piece and the next.

The saw should not be used unless the break function of the switch is guaranteed. Before starting any work, check the downtime of the saw by turning the saw on and off. The stopping time should be approximately 10 - 15 seconds. If the period is longer, do not use the saw and contact an authorized service provider.

4.4. machine handling

- Place the firewood in the cradle (log support) as securely as possible (without wobbling) (Fig. 7).
- Beware of foreign and splintery items in the place.
- You can turn on the machine by pressing the green button of the ON/OFF switch. You can turn it off by pressing the red button on the same switch. In an emergency, turn off the machine with the red emergency button.
- Grasp the cradle handle with both hands, hold it with your thigh, and push it slowly and evenly onto the saw blade.

⚠ Caveat

The machine must be mechanically locked in such a way that the cutting stroke of the pivoting log carriage is only operational when the upper guard is in the guard (closed) position and locked during the cut and to open only in the rest position.



4.4.1. step by step instructions

Cut with your right hand holding onto the handle and push the cradle towards the saw (Fig. 7). If necessary, you can help yourself with the thigh.

By pushing against the cradle, the saw sleeve will rise to allow the cut, and after cutting, it will return to its initial position, thanks to the tension of the spring.

5. PROBLEM SOLVING

Problem	Causes	Possible solution
The engine does not work	<ol style="list-style-type: none"> 1. There is no electrical current to the equipment. 2. Thermal sensor has interrupted power supply. 	<ol style="list-style-type: none"> 1. Check the cable and power. Go to an electrician. 2. Wait 5-10 minutes and reboot.
The engine does not slow down	<ol style="list-style-type: none"> 1. The mechanical brake is worn. 	<ol style="list-style-type: none"> 1. Have the brake replaced at a maintenance and service center
Engine shuts down in the middle of work	<ol style="list-style-type: none"> 1. The thermal sensor is faulty. 2. Motor circuit breaker shuts it down on overload. 	<ol style="list-style-type: none"> 1. Have only a qualified electrician replace the thermal sensor. 2. Wait for the engine to cool down and start again after 5-10 minutes
Overload reasons	<ol style="list-style-type: none"> 1. The cable is too long or its section is too small. 2. The saw is not sharp. 3. The skew of the teeth is not correct. 	<ol style="list-style-type: none"> 1. The cable must have dimensions of 1.5mm². 2. Sharpen the saw 3. Please go to an expert to ensure the skew of the teeth.
There are burns on the parts being worked	<ol style="list-style-type: none"> 1. The saw is not sharp. 	<ol style="list-style-type: none"> 1. Sharpen or replace the saw.

6. MAINTENANCE AND STORAGE

6.1. Inspections and maintenance

6.1.1. Security instructions

Equipment will only function properly if it is well cared for and maintained. Improper care and maintenance can cause accidents and injuries.

6.1.2. Inspections and maintenance

Always keep the saw clean. It is enough to remove the dust with a cloth or a brush by the saw at the end of the work. Always clean it with the saw stopped and the motor disconnected from the mains. Dust and sawdust on the cooling plates can cause the motor to overheat. Clean them frequently.

6.2. Inspection and maintenance program

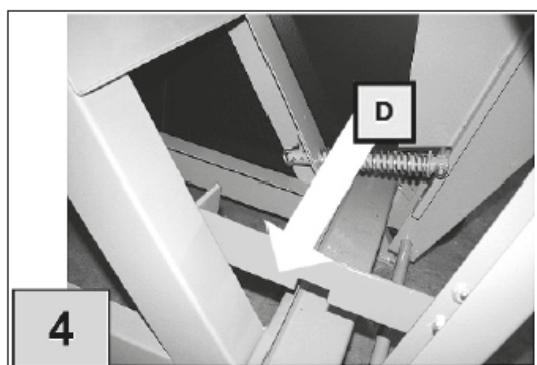
Time interval	Description
after each use	Remove sawdust, dust and dirt from the saw. Clean the machine.
when necessary	Sharpen the saw. Replace it if necessary.

6.3. Transport and storage

For a prolonged stop, it is recommended to clean the saw and the cradle spring with a cloth soaked in oil to prevent rust. Cover the machine with a tarp if it is outdoors or in unprotected places. The motor and the switch must be protected mainly against water and humidity.

Before transporting, disconnect the saw from the electricity.

Push the rocker toward the saw and secure with latch D (Fig. 4). Once you have moved the saw, hold the machine stand with both hands, place one of your legs on the axis of the machine, and tilt the machine slightly toward you. In this position, you can easily transport the saw.



7. WARRANTY

Millasur guarantees that if your product suffers from a manufacturing defect during the established guarantee period, contact or go to your point of sale.

Your purchase invoice must be kept as proof of the purchase date. Your tool must be returned to your dealer in an acceptable and clean condition, in its original molded case, if applicable to the unit, accompanied by your appropriate proof of purchase.

7.1. Warranty period

The legal warranty period for the product begins on the original date of purchase by the first initial buyer and its duration will be that established by the Royal Decree-Law for the protection of consumers and users in situations of social and economic vulnerability for the year corresponding to the time of purchase of the product.

Some countries do not allow limitations on how long an implied warranty lasts or do not allow the exclusion or limitation of consequential or incidental damages, in which case the above limitation and exclusion may not apply to you. This warranty gives you specific legal rights, and you may also have other rights which vary from state to state or country to country.

7.2. exclusions

This warranty does not cover product damage or performance problems caused by:

- Natural wear and tear from use.
- Misuse, neglect, careless operation or lack of maintenance.
- Defects caused by incorrect use, damage caused by manipulations carried out by personnel not authorized by Anova or use of non-original spare parts.
- Defects of normal wear parts, such as bearings, brushes, cables, plugs or accessories such as drills, bits, saws, etc.
- Damage or defects resulting from abuse, accidents or alterations.
- Incorrect use and storage (explicit reference that the rules described in the operating instructions have not been followed).
- Customer wear (for example, broken blades, worn carbon brushes, etc.).
- Secondary wear and damage due to lack of maintenance, repair, lubricants (for example, damage from overheating due to blocked cooling slots, bearing damage as a result of dirt, frost damage, etc.)
- Damage as an obvious result of overuse/overloading.
- Damage caused by inappropriate supplies (eg wrong fuel)
- Load-induced failure of housing components or accessories due to abnormal stress
- Load-induced deformation of housing components or accessories due to abnormal stress.
- Damage resulting from the operation of supplies that are overfilled or leaking due to improper storage, in proper cleaning agents or other damaging chemicals.
- Damage due to improper exposure to extreme temperatures (for example, freeze fractures, thermal distortion of components, etc.)
- Damage from permanent exposure to ultraviolet radiation.
- Damage caused by improper maintenance.
- Any damage caused by non-compliance with the instruction manual
- Any product that has been attempted to be repaired by an unqualified professional.
- Any product connected to an inadequate power source (amps, voltage, frequency).
- Any damage caused by external influences (water, chemicals, physics, shock) or foreign substances.
- Use of inappropriate accessories or parts.
- It does not include defects of normal wear parts, nor does it cover damages or defects resulting from abuse, accidents or alterations, nor transportation costs.

Also, the warranty is void if the product has been altered or modified, or if the trademark/serial number on the machine has been defaced or removed.

Routine maintenance, tune-ups, adjustments or normal wear and tear are not covered under this warranty.

This manual does not cover all possible situations regarding warranty exclusions, for more information contact your nearest Anova dealer.

7.3. In case of incident

The guarantee must be correctly completed with all the information requested, and accompanied by the purchase invoice.

Anova reserves the right to deny any claim where purchase cannot be verified or where it is clear that the product was not maintained properly (maintenance, vents cleaned, lubrication, carbon brushes regularly maintained, cleaning, storage, etc.).

Private use is understood as personal domestic use by a final consumer. Instead, commercial use means all other uses, including uses for commercial, income-generating, or rental purposes. Once the product has been used for commercial use, it will hereafter be considered a commercial use product for the purposes of this warranty.

These are our standard warranty terms, but occasionally there may be additional warranty coverage not determined at the time of publication. For more information, contact your nearest official Anova distributor or by visiting www.millasur.com.

Warranty service is only available through official Anova dealers. You can locate your nearest distributor on our distributor map at www.anova.es.

8. ENVIRONMENT



If your machine needs to be replaced after prolonged use, do not put it in the household waste, dispose of it in an environmentally safe way and in accordance with the legal provisions in this regard in your locality.

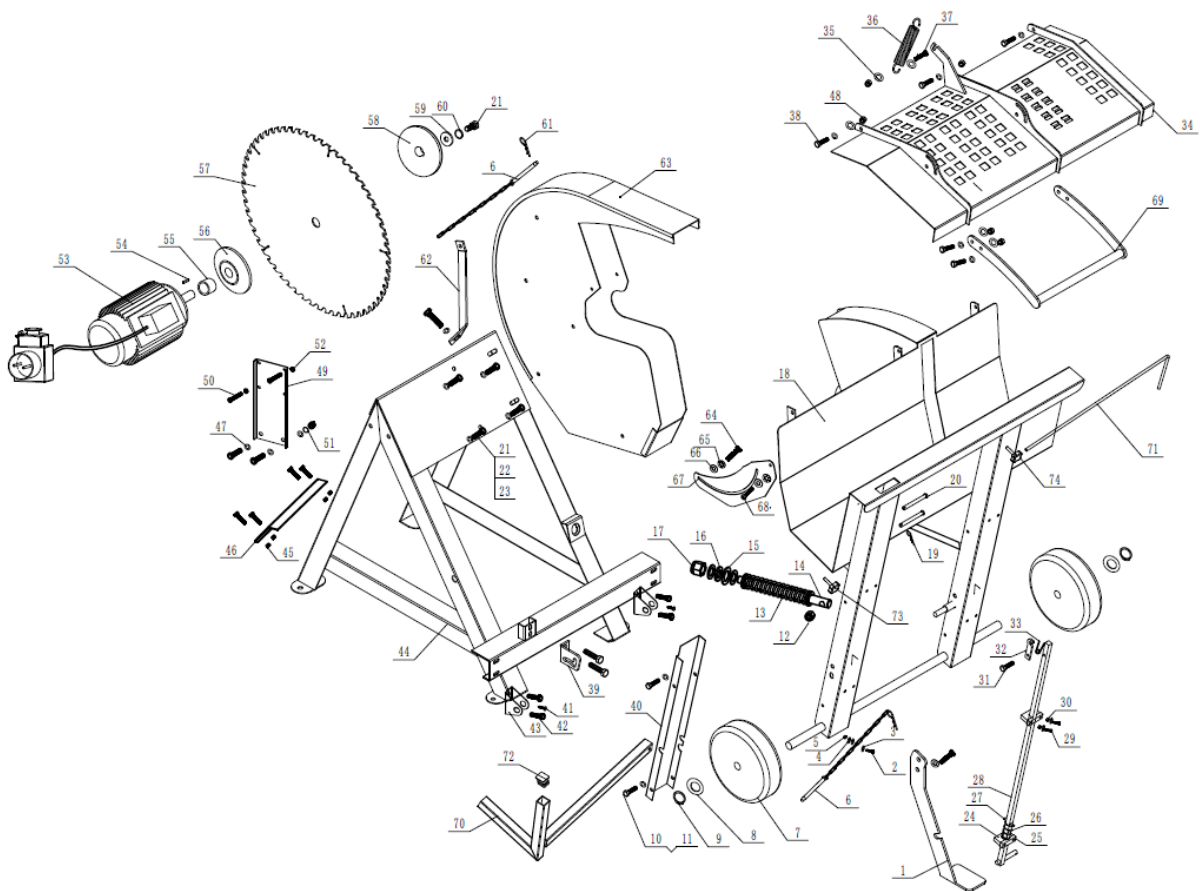
Protect the environment. Recycle the oil used by this machine by taking it to a recycling center. Do not pour used oil into drains, land, rivers, lakes or seas.

Dispose of your machine in an ecological way. We must not dispose of the machines together with the household waste. Its plastic and metal components can be classified according to their nature and can be recycled.

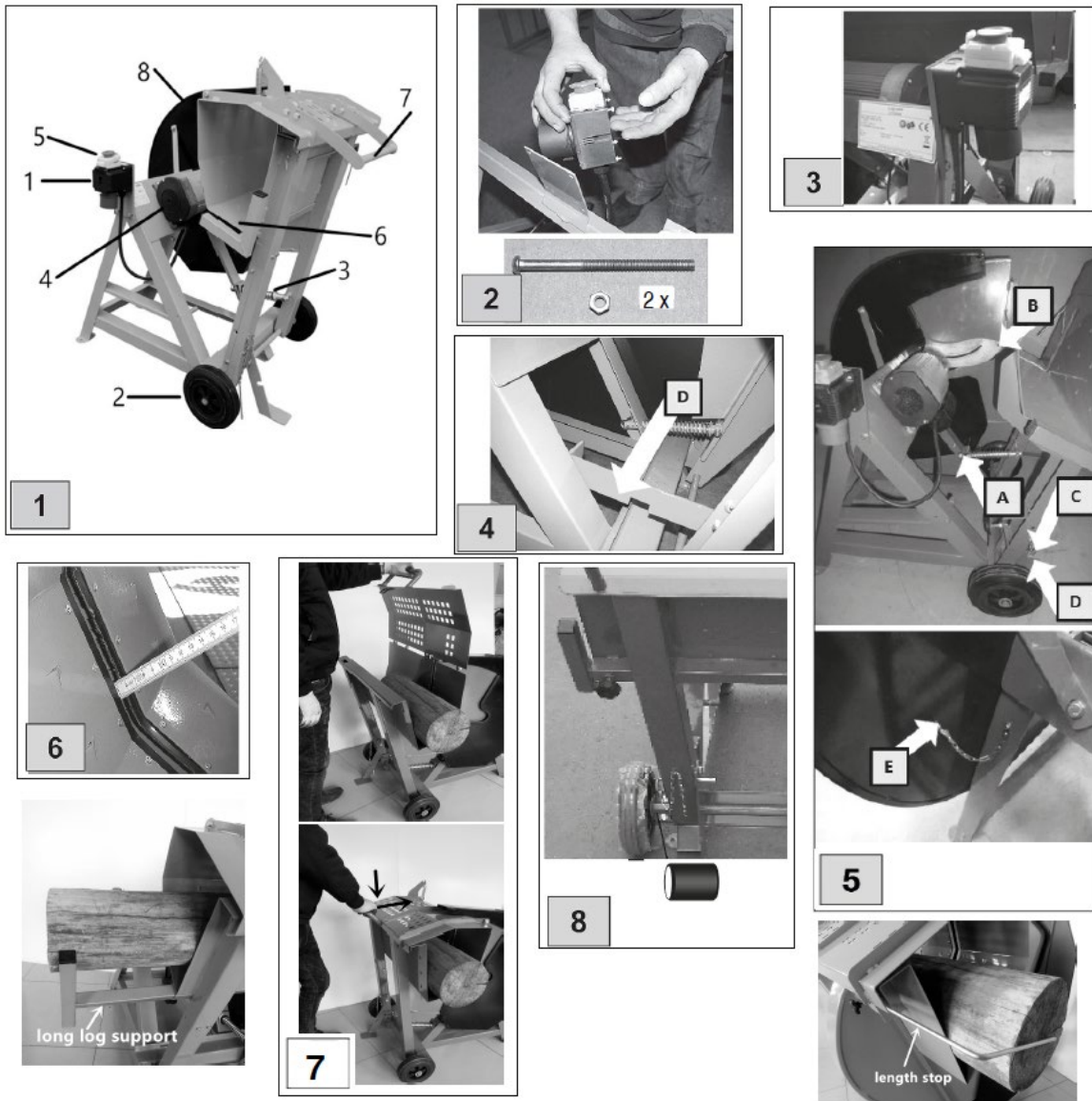
The materials used to pack this machine are recyclable. Please do not dispose of the packaging in the household waste. Dispose of these packages at an official waste collection point.

9. EXPLODED

CL500



10. ANNEX I. IMAGES



11. CE CERTIFICATE

DISTRIBUTION COMPANY

MILLASUR, SL

RUA EDUARDO PONDAL, Nº 23 PISIGÜEIRO

15688 OROSO - A CORUÑA

SPAIN



EC DECLARATION OF CONFORMITY

In compliance with the different CE directives, this document confirms that, due to its design and construction, and according to the CE mark printed on it by the manufacturer, the machine identified in this document complies with the pertinent and fundamental health and safety requirements. of the aforementioned EC directives. This declaration validates the product to display the CE symbol.

In the event that the machine is modified and this modification is not approved by the manufacturer and communicated to the distributor, this declaration will lose its value and validity.

Machine name: CIRCULAR SAW

Model: **CL500**

Recognized and approved standard to which it conforms:

**EC Directive: Directive 2006/42/EC
2011/65/EU**

2014/30/EU

2015/863/EU

Tested according to regulations:

EN ISO 11680-1:2008, EN 1870-6:2017

EN 55014-1:2017+A11, EN IEC 55014-1:2021

EN 61000-3-2:2014, EN IEC 61000-3-2:2019+A1

EN 61000-3-11:2000, EN IEC 61000-3-11:2019

EN 55014-2:1997+A1+A2:2008, EN IEC 55014-2:2021

AfPS GS 2014:01 PAK, EN 61000-3-3:2013

EN 55014-1:2006/A2:2011

Company seal

MILLASUR, S.L.U.

Rúa Eduardo Pondal,23 - Pol.EMP..Sigüeiro
15688-Oroso-A Coruña

Tel.(+34) 981 69 64 65 - Fax (+34) 981 69 08 61

e-mail: millasur@millasur.com

CIF: B-15 749 922

11/7/2022